

- NOTES:
1. for layout of benches and shelves refer to floor plans
 2. all exposed wood and ply to be birch-finish as specified



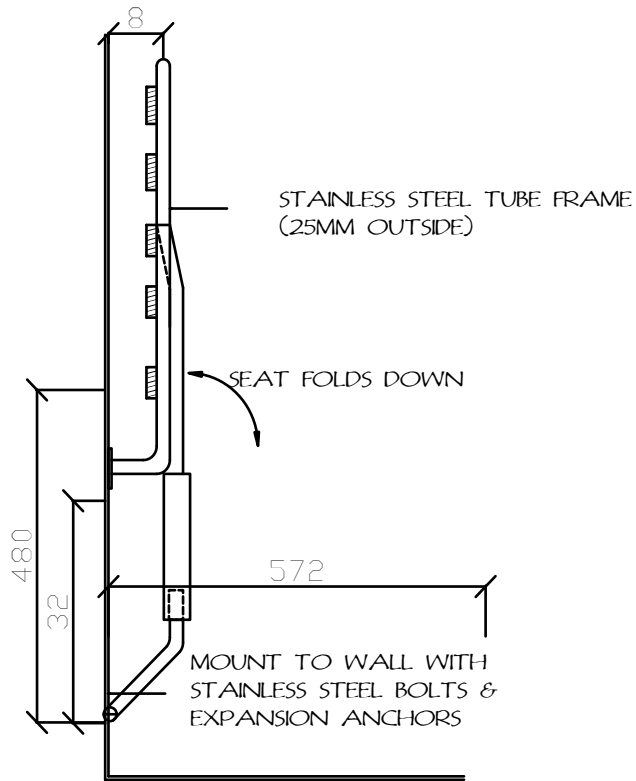
CHANGE ROOMS
BENCH TYPE

date: April 2002
drawn by: R.C.

drawing no: STD - B1.1
secondary

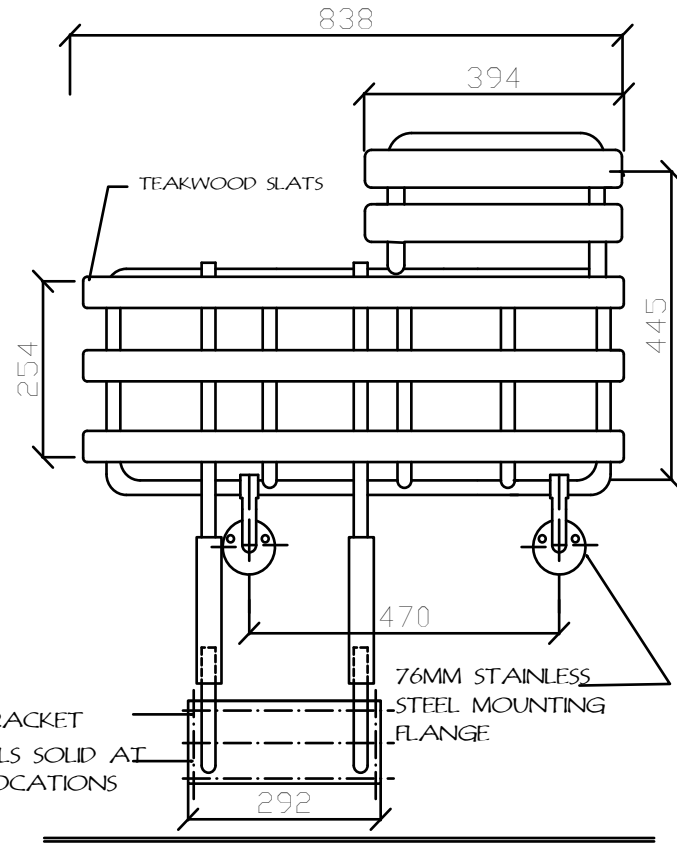
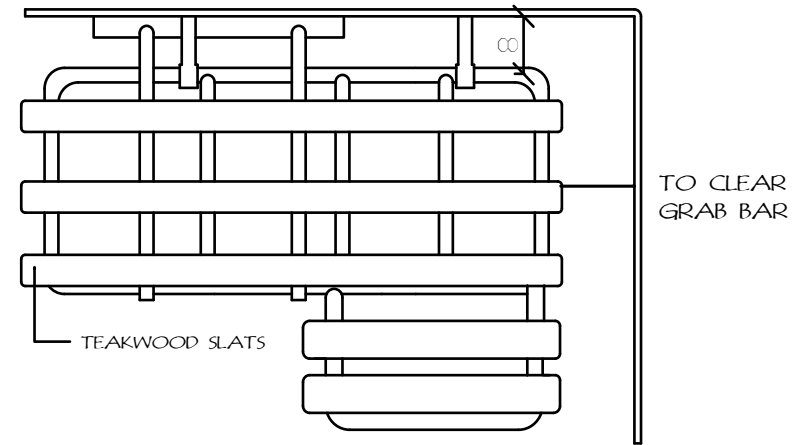
FOLDING SHOWER SEAT WITH TEAKWOOD SLATS

NOTE:
NOTWITHSTANDING THE DIMENSIONS SHOWN,
SHOWER SEATS SHALL COMPLY WITH
REQUIREMENTS OF OBC 3.7.3.12(1)(e).



SECTION

PLAN



ELEVATION



CHANGE ROOMS
SHOWER - H.C. BENCH

date: JANUARY 2004

drawing no: STD - B1.2
secondary

drawn by: E.F.