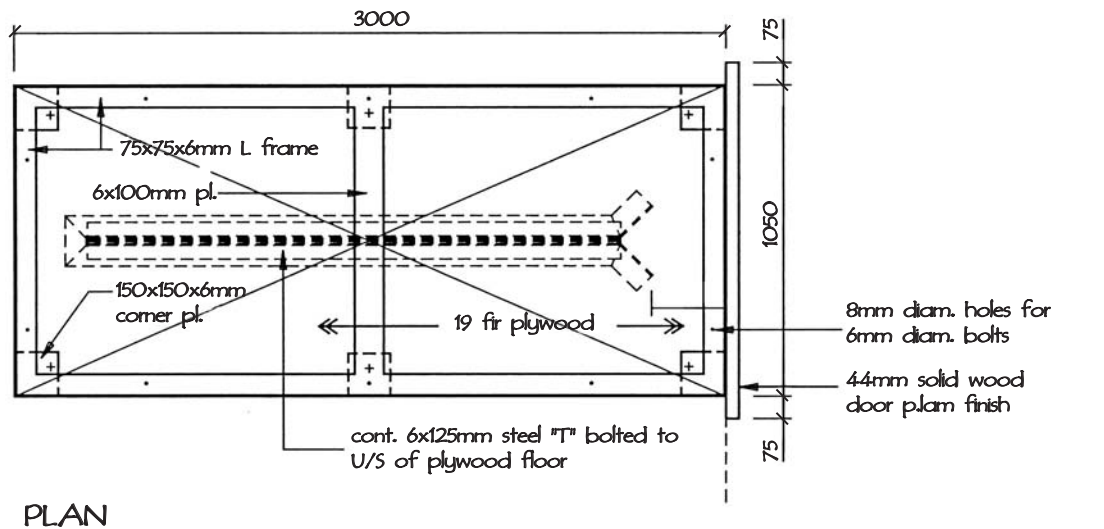


SIDE ELEVATION

FRONT ELEVATION



PLAN

NOTES:

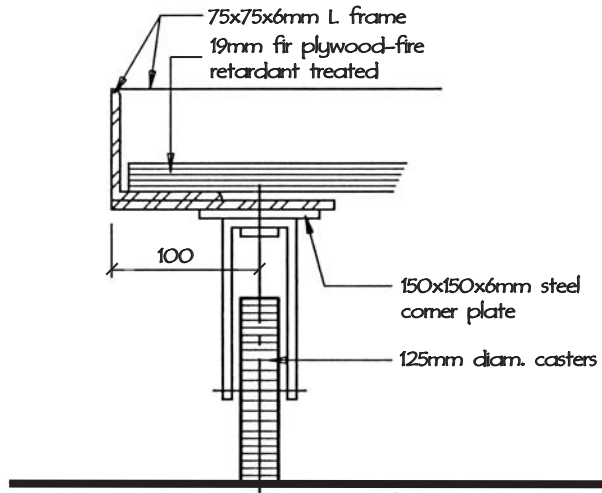
1. check & verify dim. with stage plan and details
2. 125mm medium heavy duty (set of four 550kg to 1600kg capacity) rubber casters - 4 fixed and 2 swivel per dolly
3. note that casters are to be suitable for resilient and wood flooring
4. total of 5 dollies required



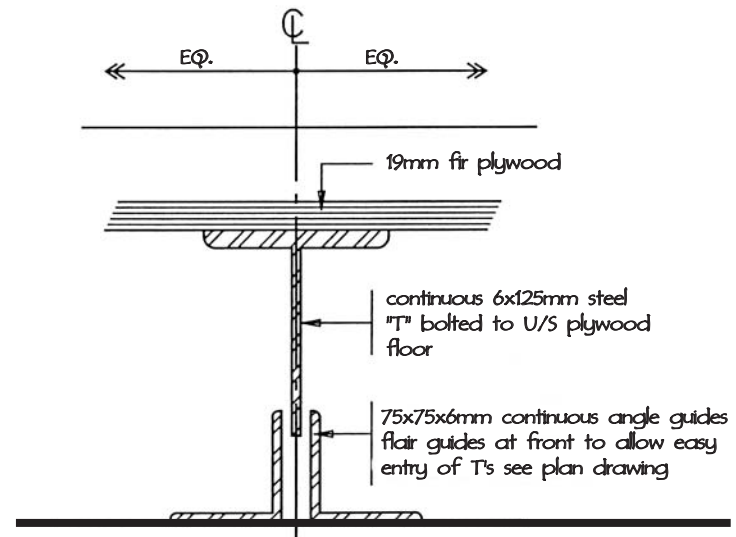
CAFETERIA
UNDER STAGE CHAIR DOLLY

date: January 2002
drawn by: R.C.

drawing no: STD - B14.1
secondary



CASTERS



GUIDES

