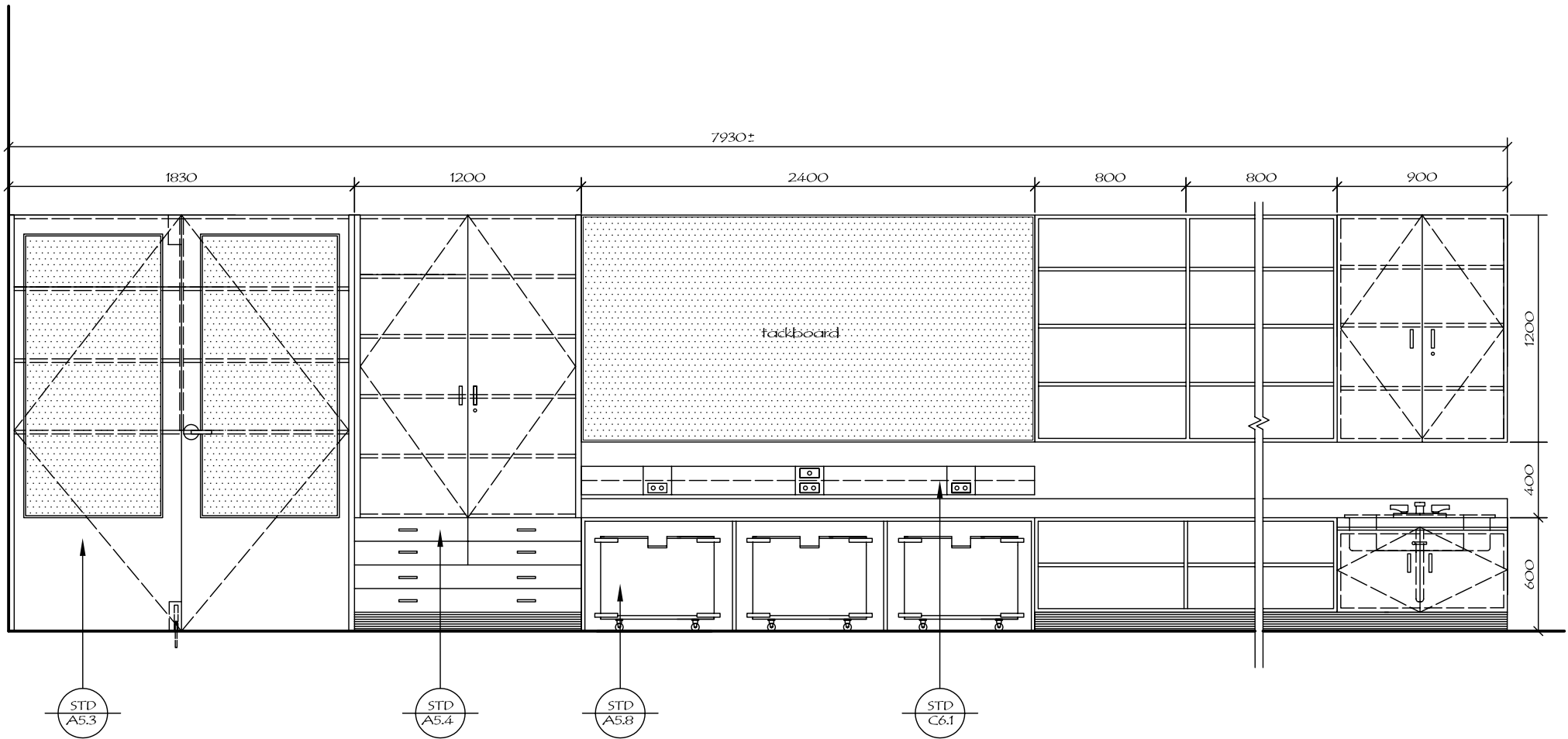


KINDERGARTEN  
TYPICAL LAYOUT

date: February 2002  
 revision: March 2003  
 drawn by: C.C.

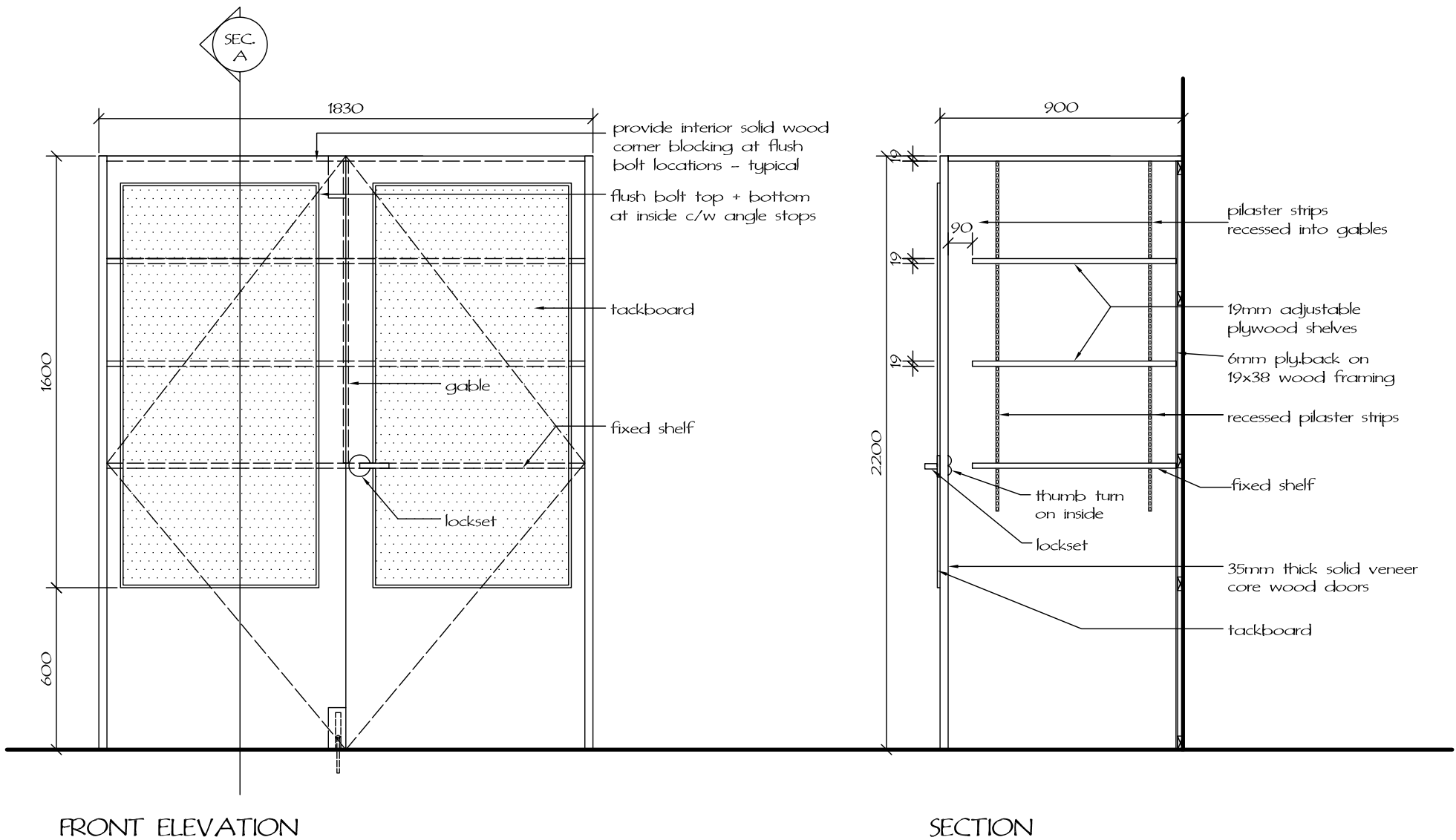
drawing no: STD - A5.1  
 elementary



KINDERGARTEN  
COUNTER ELEVATION

date: February 2002  
 revision: February 2003  
 drawn by: C.C.

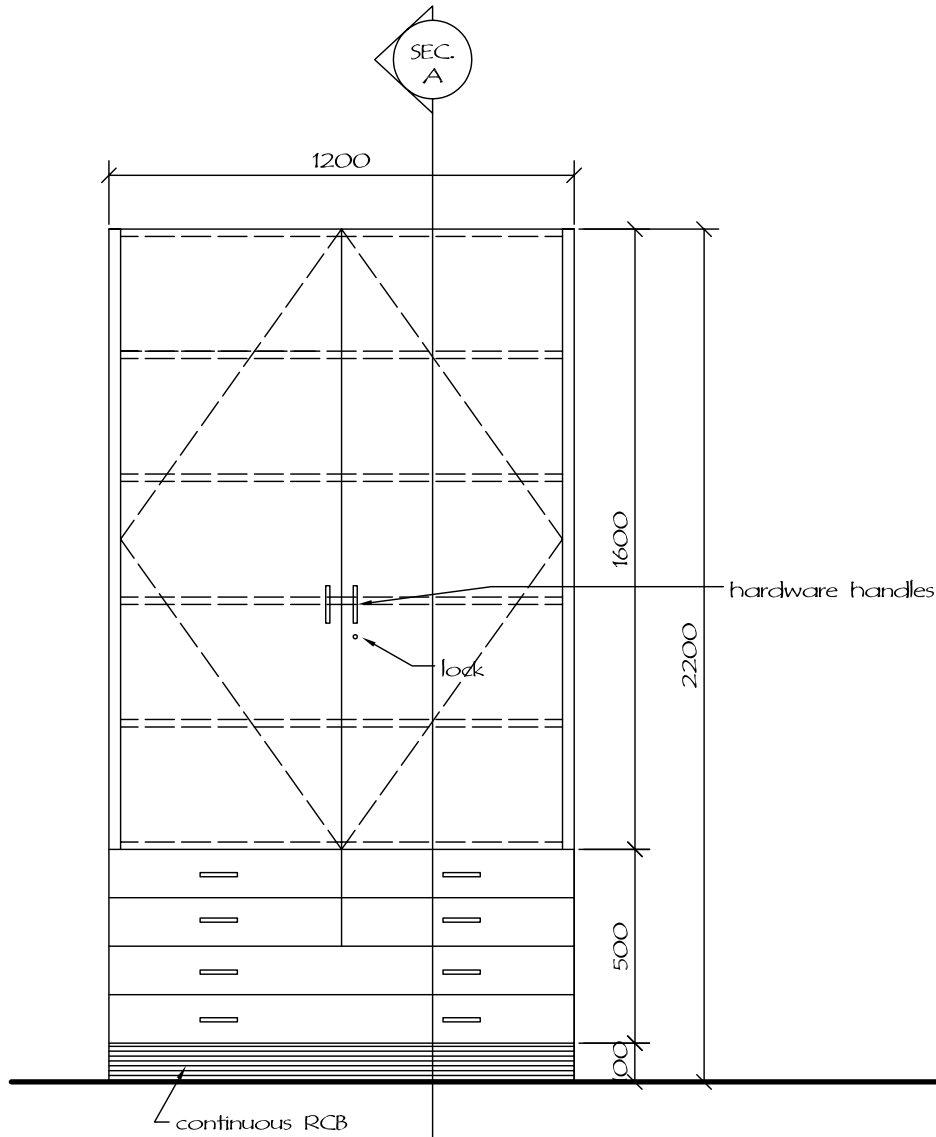
drawing no: STD - A5.2  
 elementary



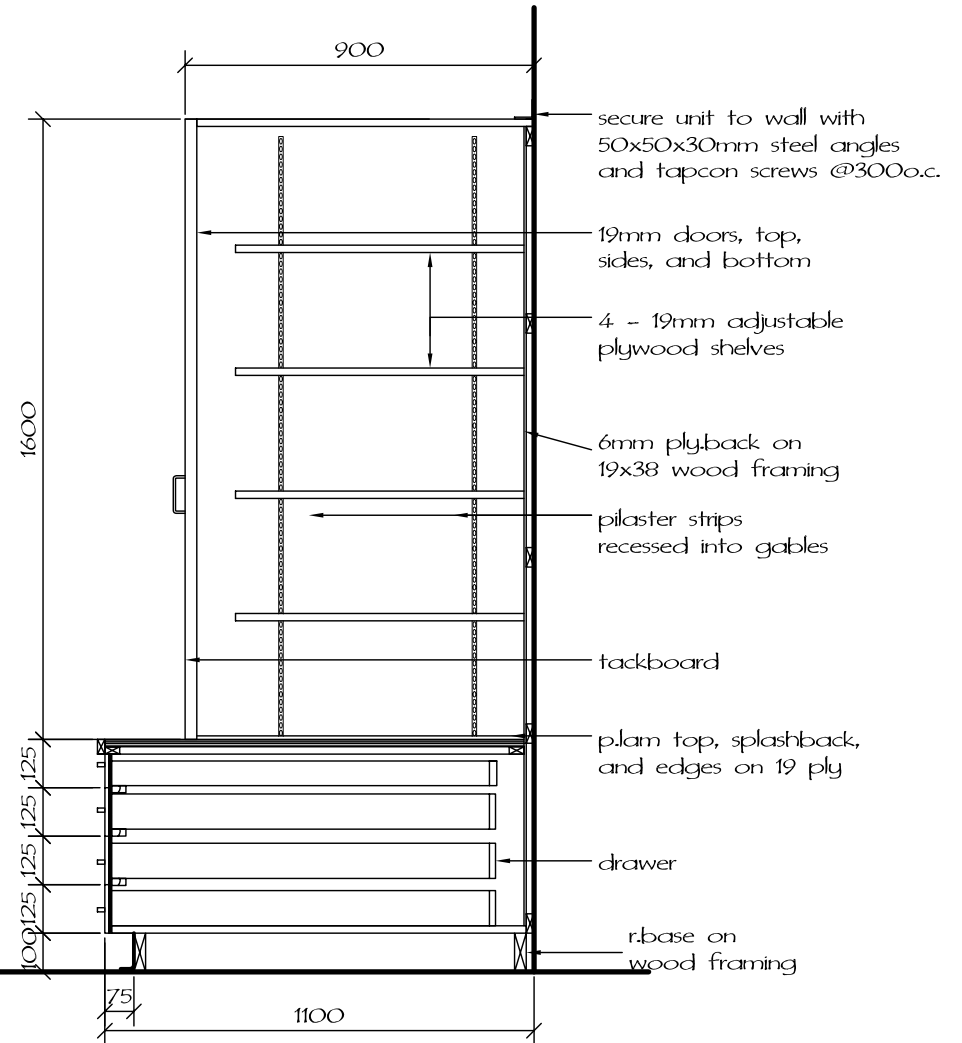
KINDERGARTEN  
STORAGE UNIT

date: February 2002  
 revision: February 2003  
 drawn by: C.C.

drawing no: STD - A5.3  
 elementary



FRONT ELEVATION



SECTION A

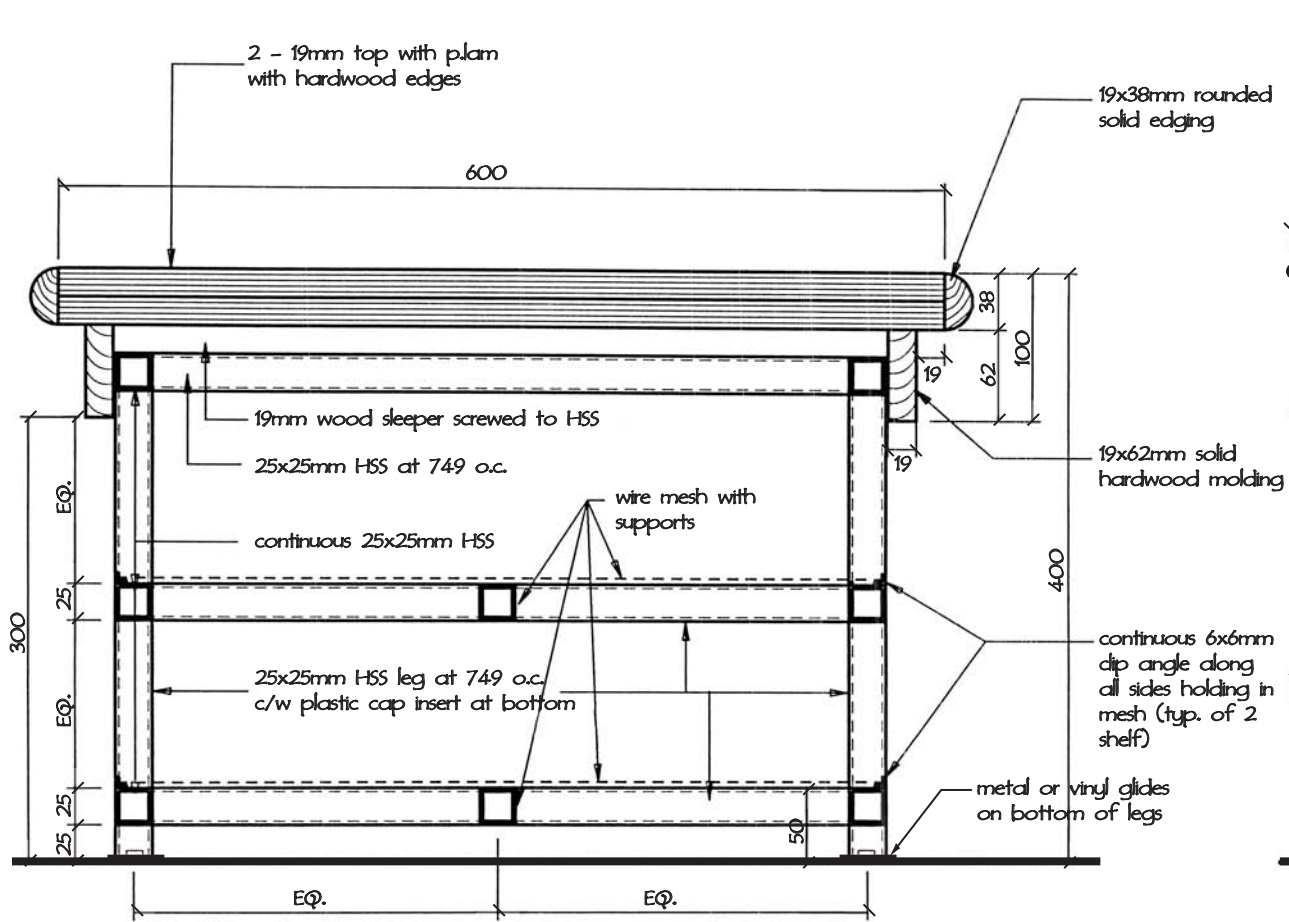


KINDERGARTEN  
CLOSET & PAPER STORAGE UNIT

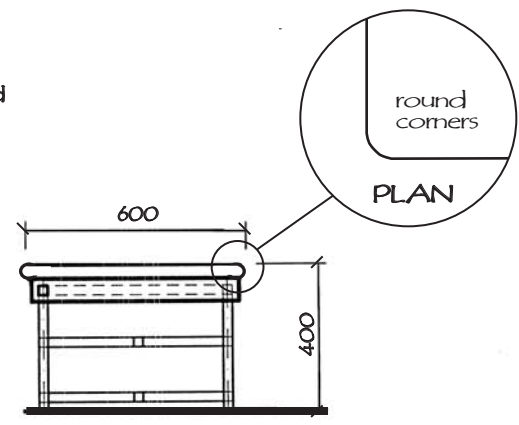
date: February 2002  
 revision: February 2003  
 drawn by: C.C.

drawing no: STD - A5.4  
 elementary

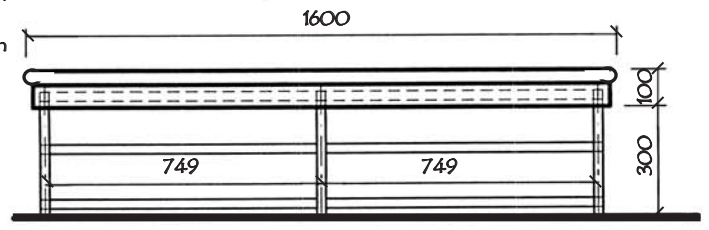




SECTION



SIDE ELEVATION



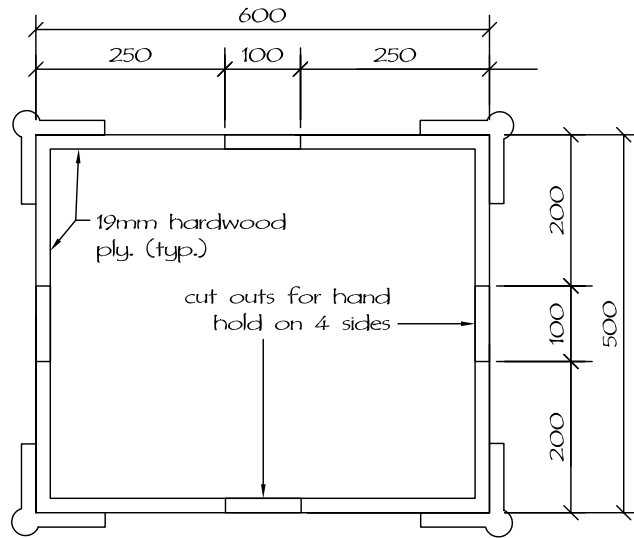
FRONT ELEVATION



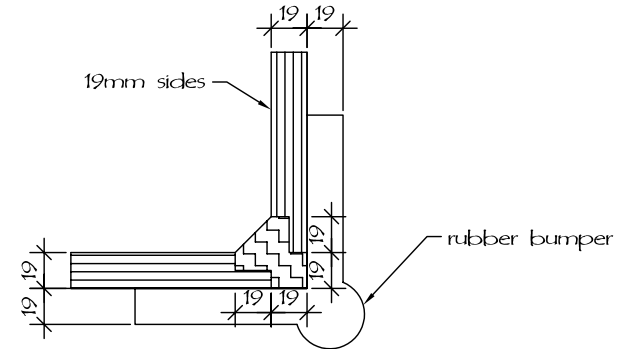
KINDERGARTEN  
FREE-STANDING BENCHES

date: January 2002  
 revision: February 2003  
 drawn by: C.C.

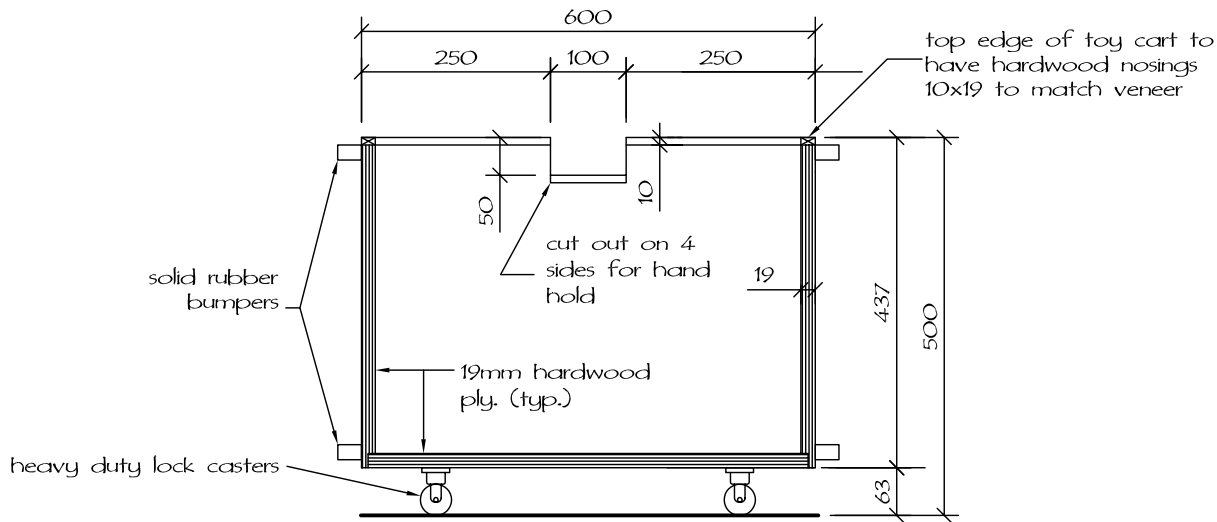
drawing no: STD - A5.7  
 elementary



PLAN



CORNER DETAIL



SECTION



KINDERGARTEN  
TOY CART DETAIL

date: February 2002  
revision: October 2002  
drawn by: D.C.

drawing no: STD - A5.8  
elementary