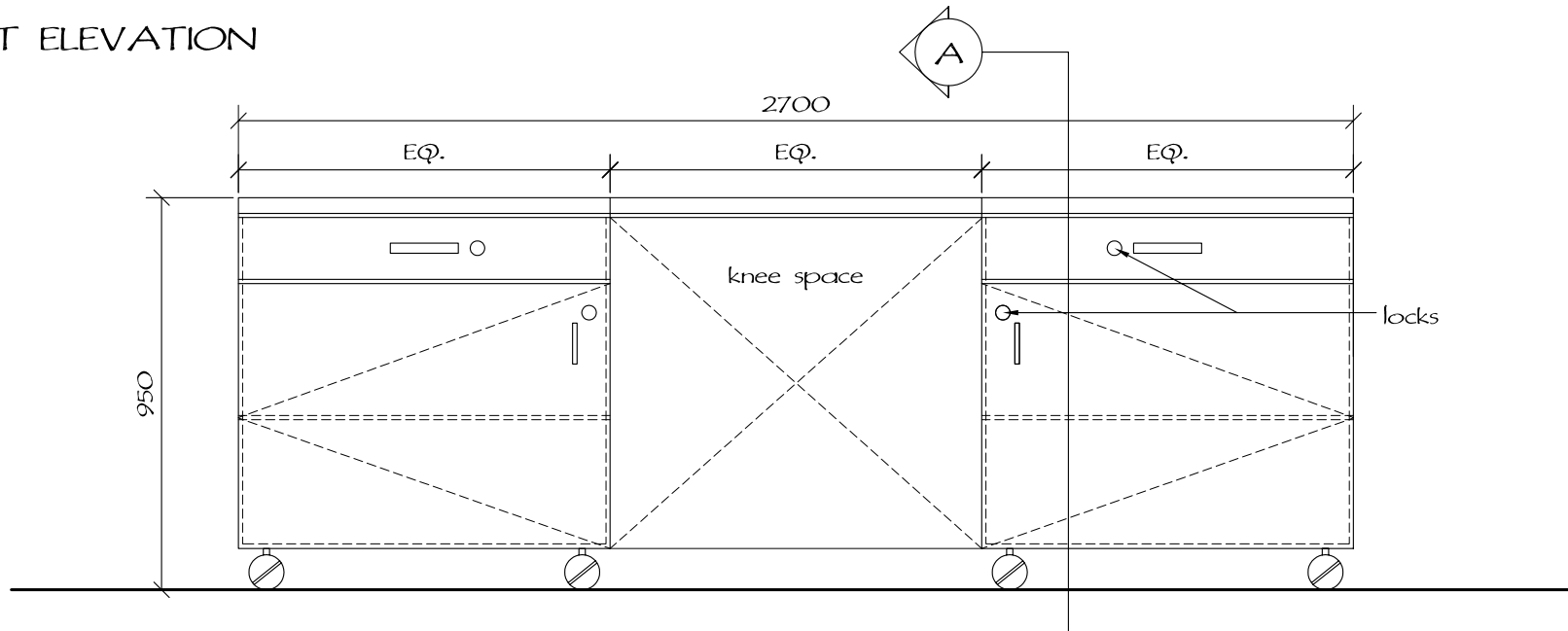
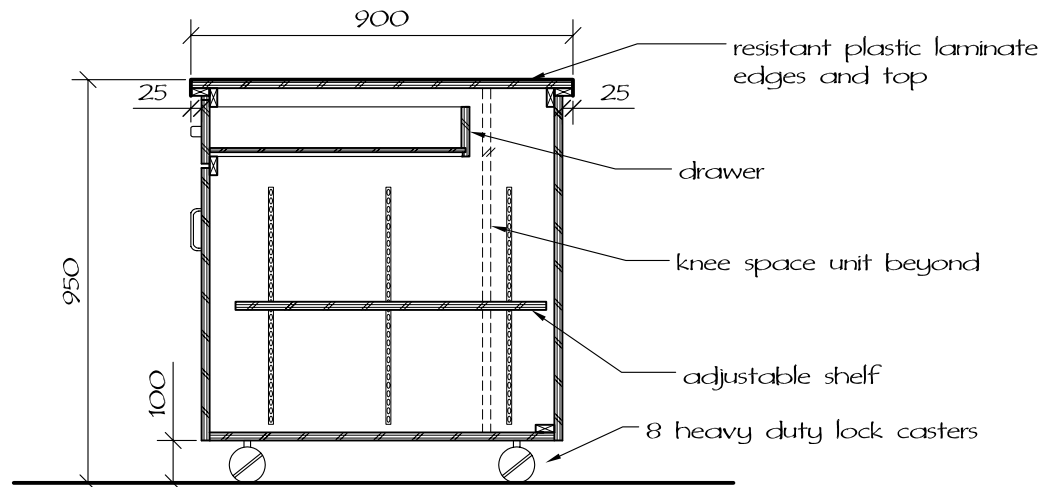


FRONT ELEVATION



SECTION A



SCIENCE AREA
INSTRUCTOR'S DESK

date February 2003
drawn by: C.C.

drawing no: STD - A9.1
elementary