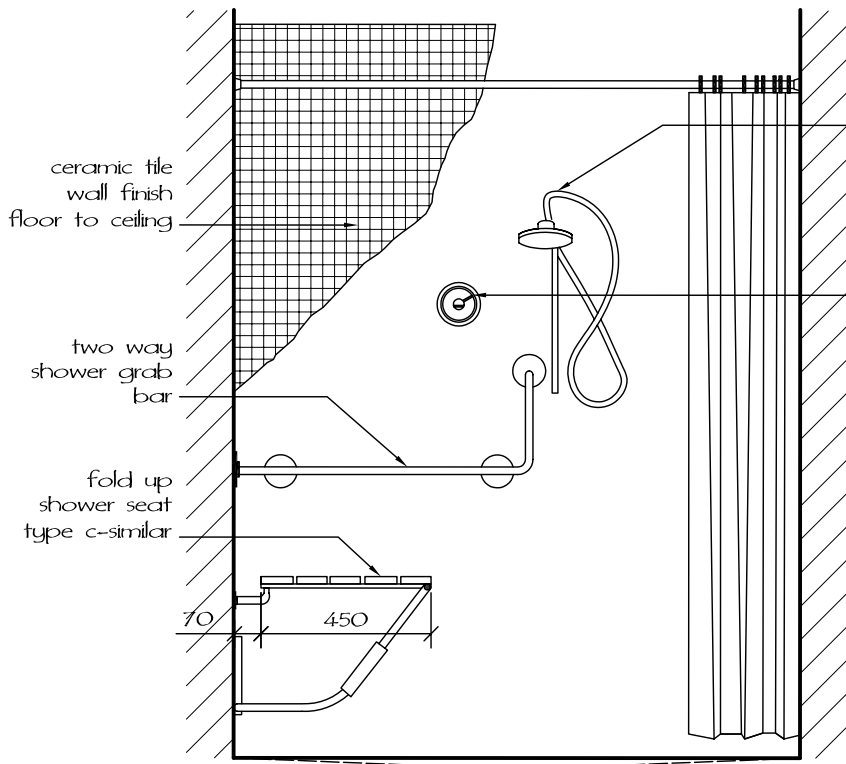


P.I.P. AREA
 ORTHOPEDIC WASHROOM
 SHELIVING

date: January 2006 drawing no: STD - A12.1
 drawn by: T.S. elementary



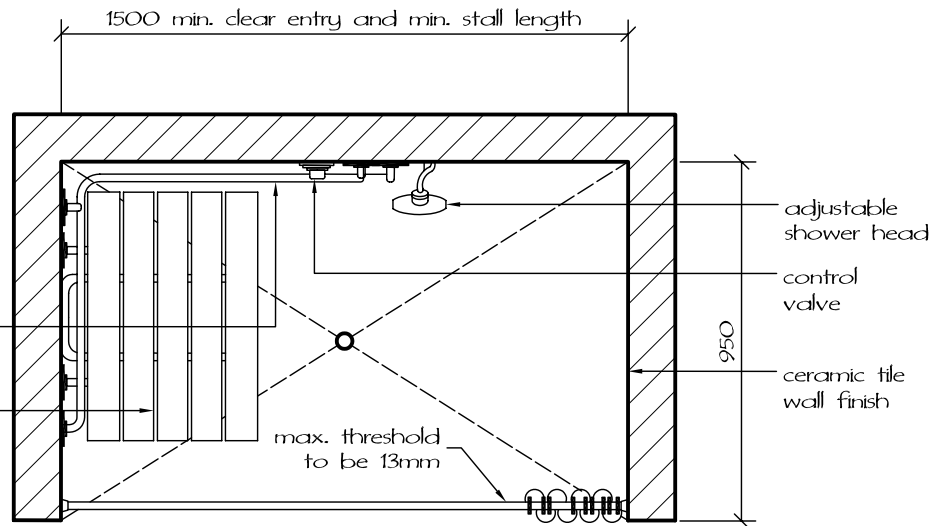
ELEVATION

shower head to be adjustable between 965 and 1500 max. above floor

control valve

2-way shower grab bar 800 above floor having a clearance of 35mm to 45mm from the wall

fold up shower seat



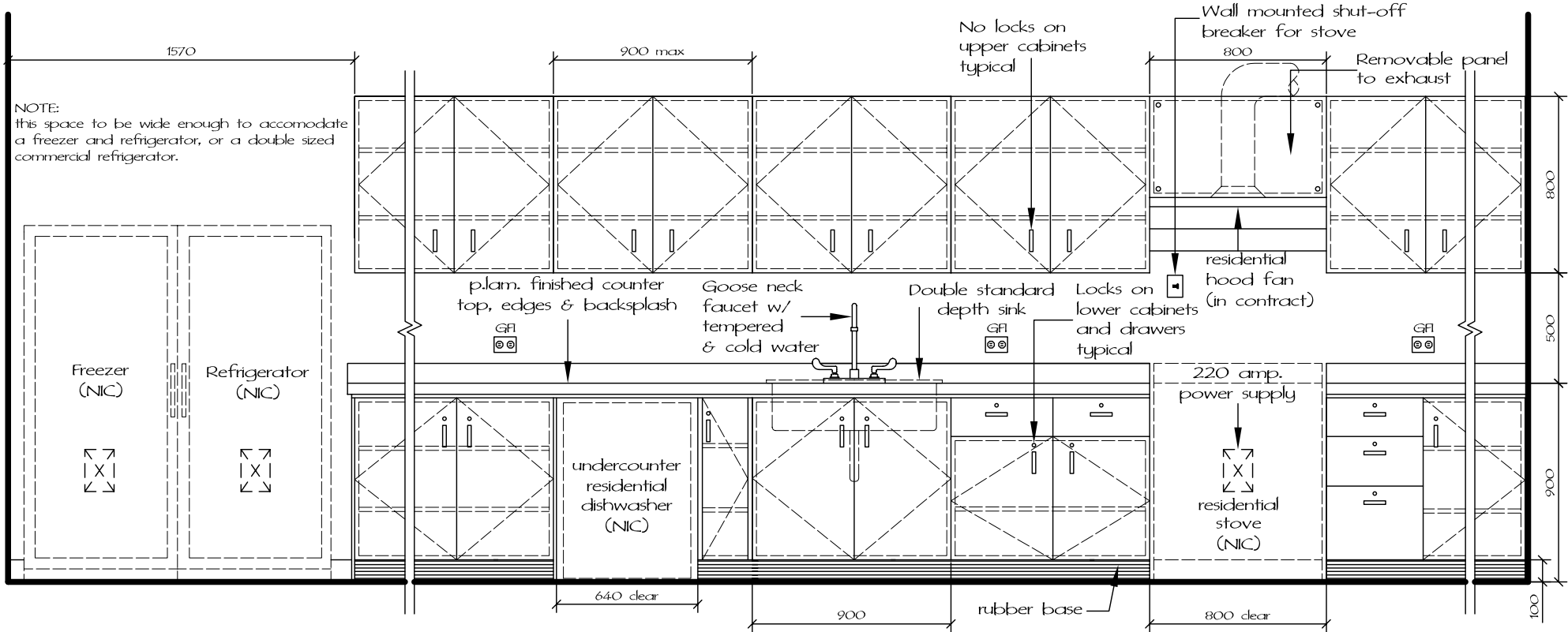
PLAN

NOTE:
provide wall supports and mounting brackets for all fixtures and accessories as per manufacturers requirements

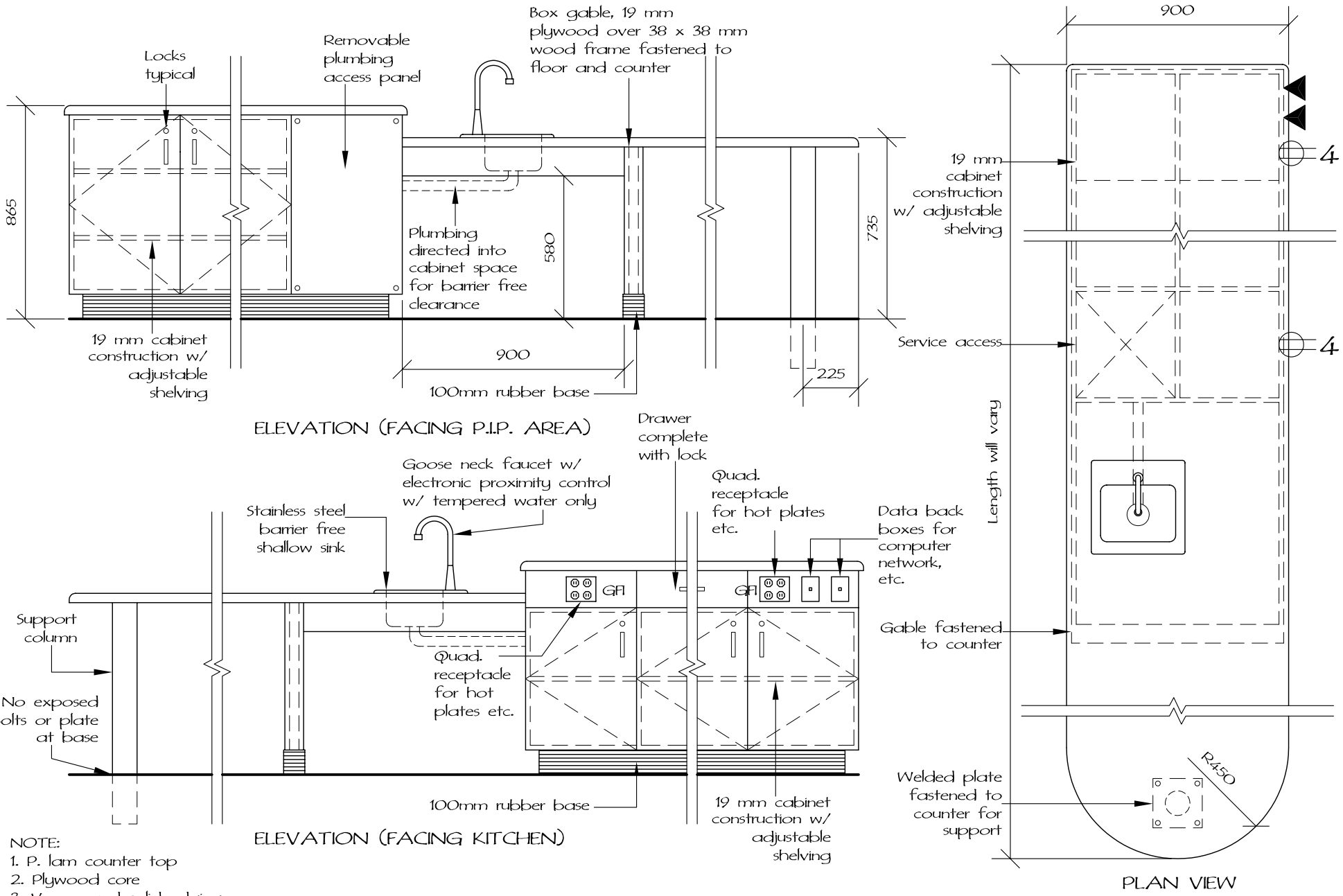


P.I.P. AREA
WHEELCHAIR ACCESSIBLE SHOWER

date: April 2002 drawing no: STD - A12.2
revised: February 2006 (T.S.) elementary
drawn by: R.C.



- NOTES:
1. no upper cupboards above refrigerator and freezer (typ.)
 2. appliances are imperial sizes
 3. Construction: plywood core, veneer, and solid edging



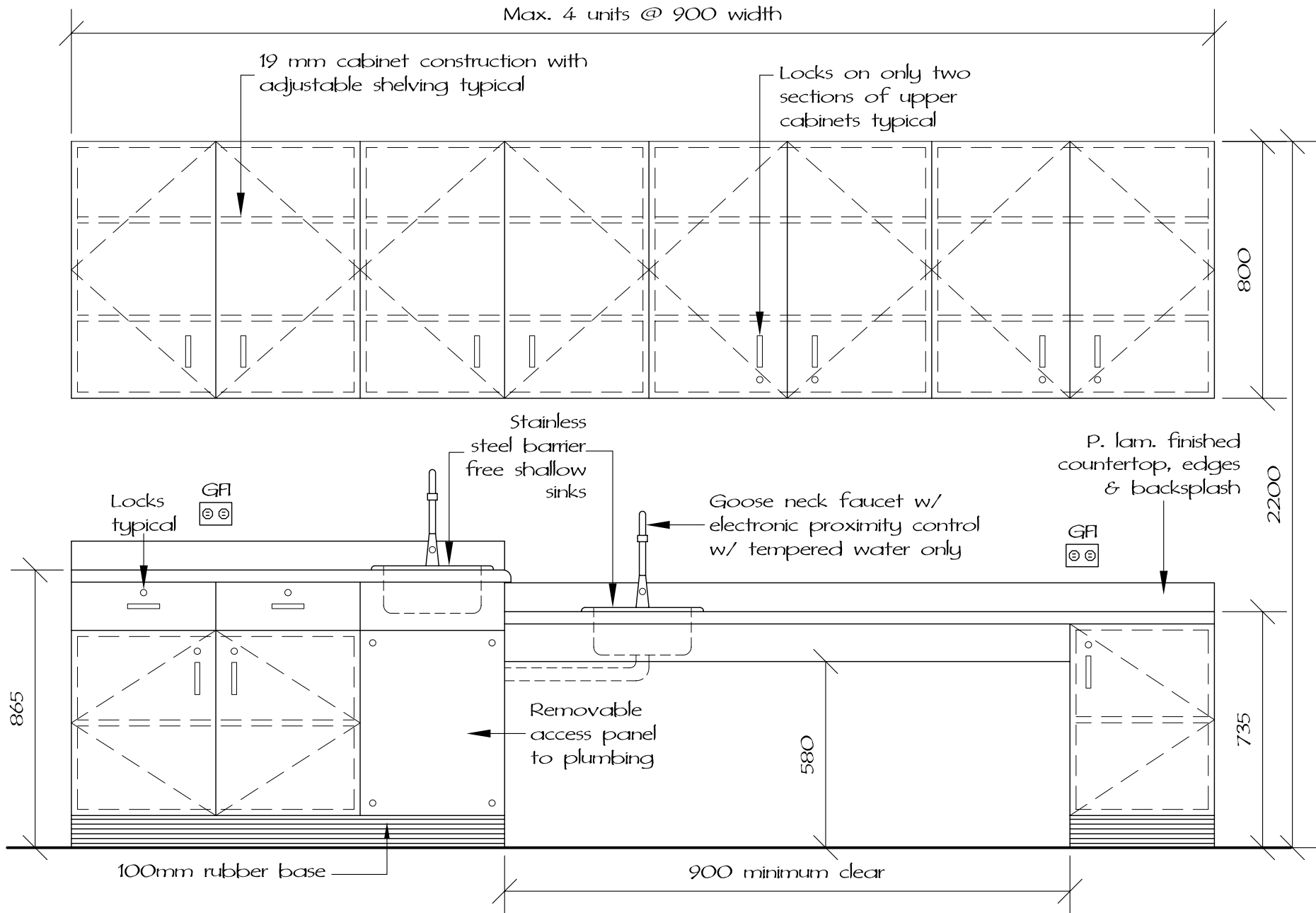
NOTE:
 1. P. lam counter top
 2. Plywood core
 3. Veneer and solid edging



P.I.P. AREA
 TYPICAL KITCHEN ISLAND COUNTER

date: February 2006
 drawn by: T.S.

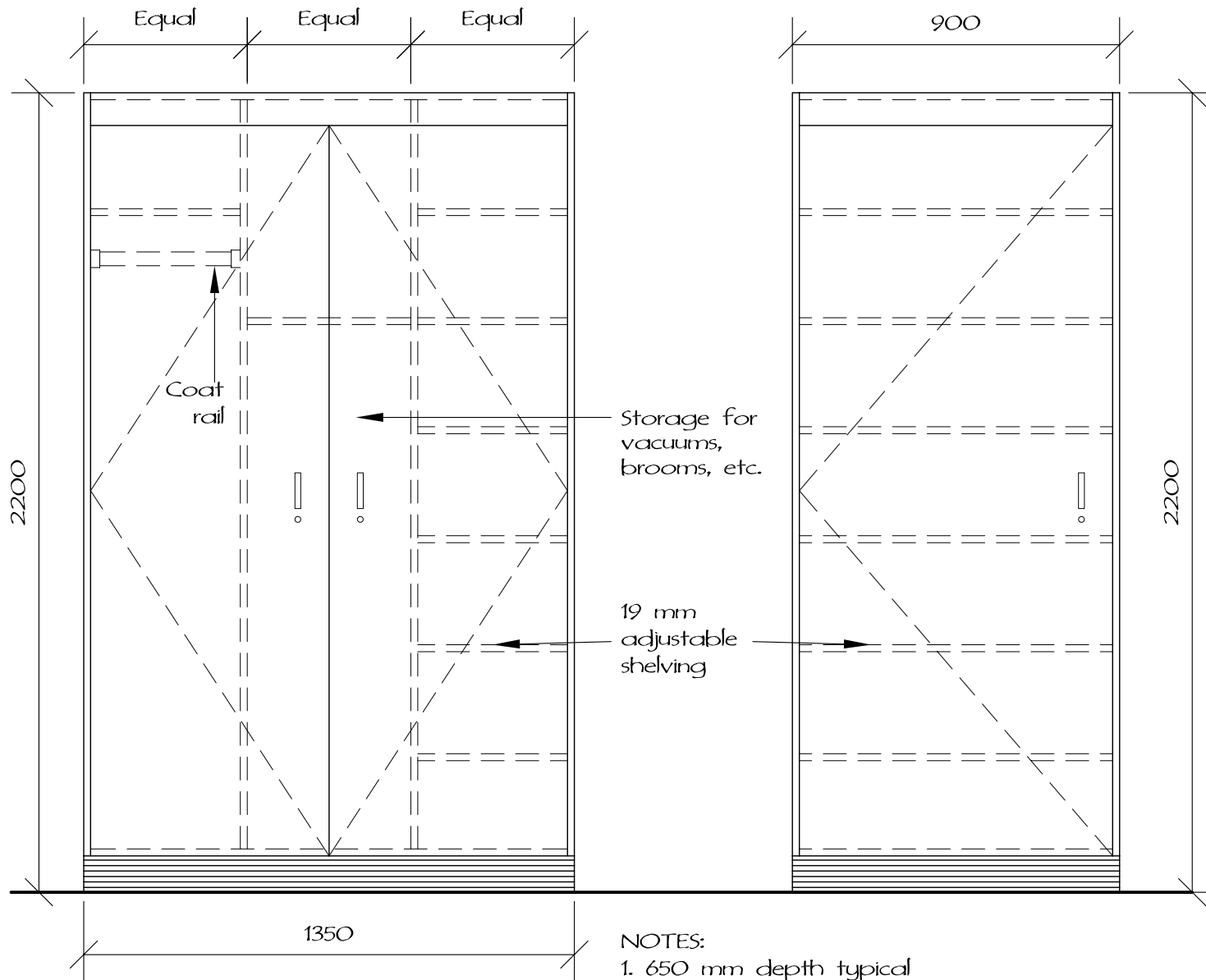
drawing no: STD - A12.4
 elementary



P.I.P. AREA
 TYPICAL WORK COUNTER
 AND STORAGE CABINETS

date: February 2006
 drawn by: T.S.

drawing no: STD - A12.5
 elementary



NOTES:

1. 650 mm depth typical
2. Plywood core shelving with veneer and solid wood edging.
3. Locks typical
4. 100 mm continuous rubber base typical



P.I.P. AREA
TYPICAL STORAGE

date: February 2006

drawing no: STD - A12.6

drawn by: T.S.

elementary