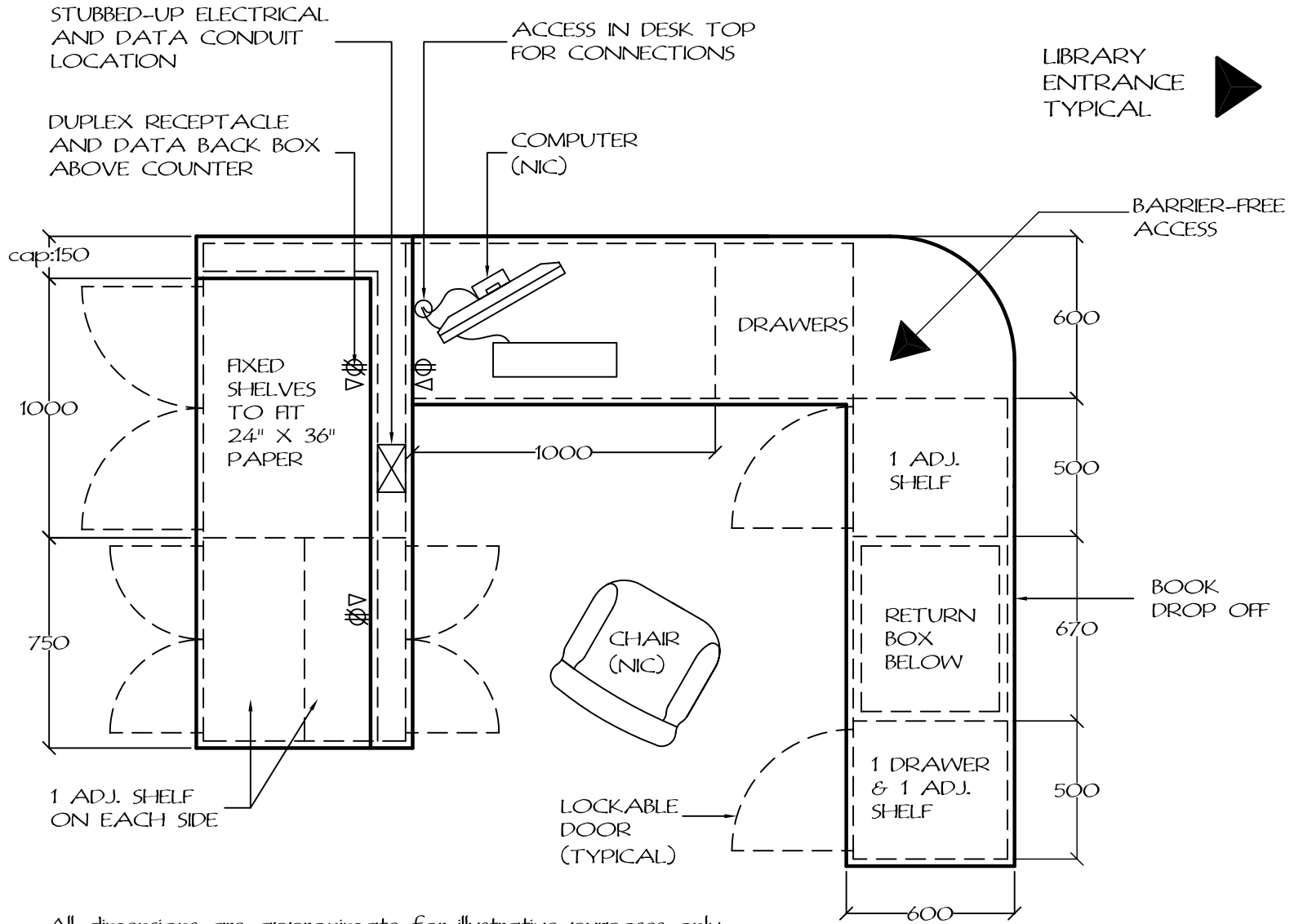


RESOURCE CENTRE: COMPUTER LAB  
TYPICAL CONFIGURATION

date: November 2003 drawing no: STD - A13.1  
 revision: March 2006 (T.S.) elementary  
 drawn by: C.C.



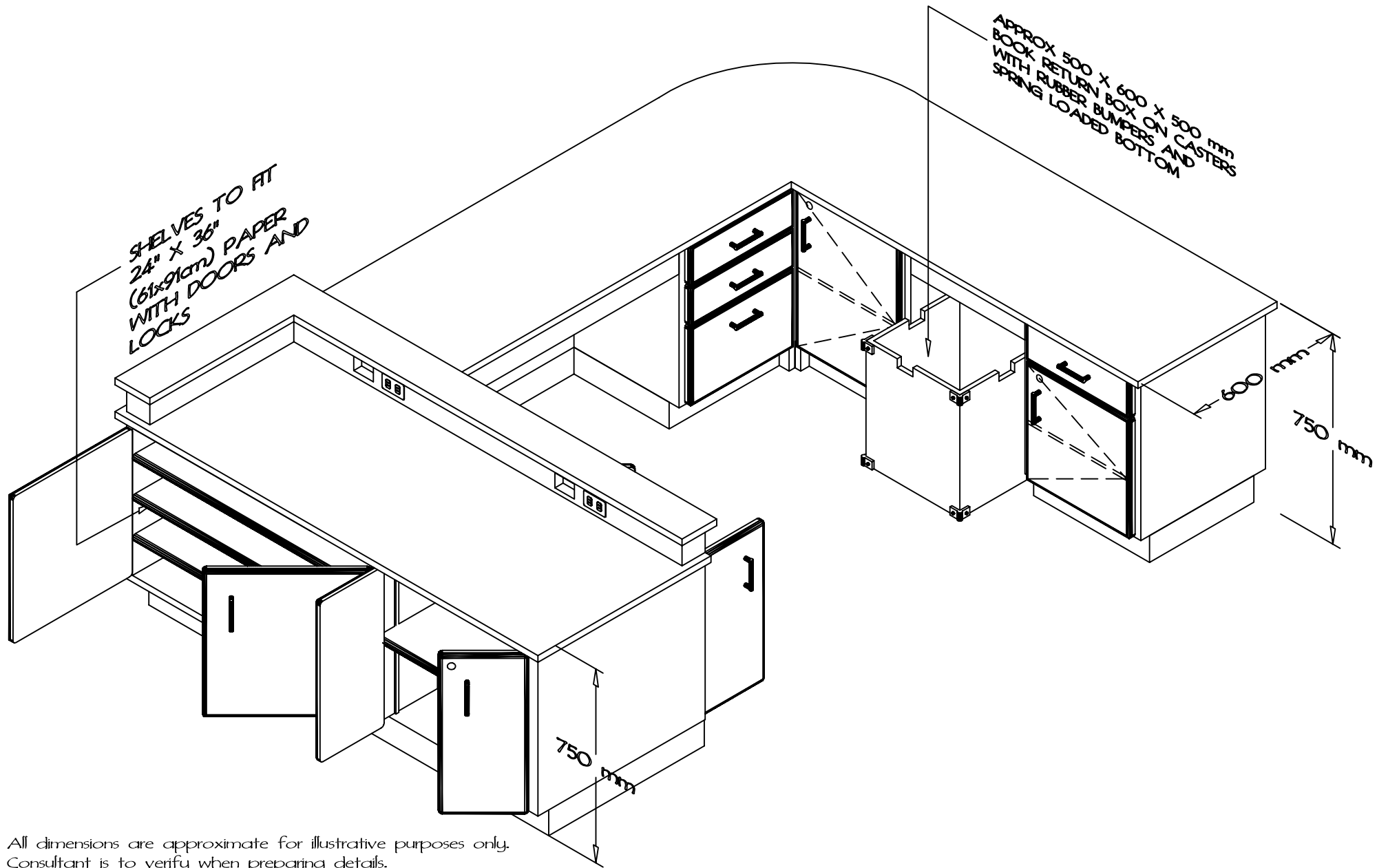
All dimensions are approximate for illustrative purposes only. Consultant is to verify when preparing details.



RESOURCE CENTRE  
TYPICAL LIBRARY CHARGING DESK  
PLAN

date: January 2005  
revised: March 2006 (T.S.)  
drawn by: S.N.

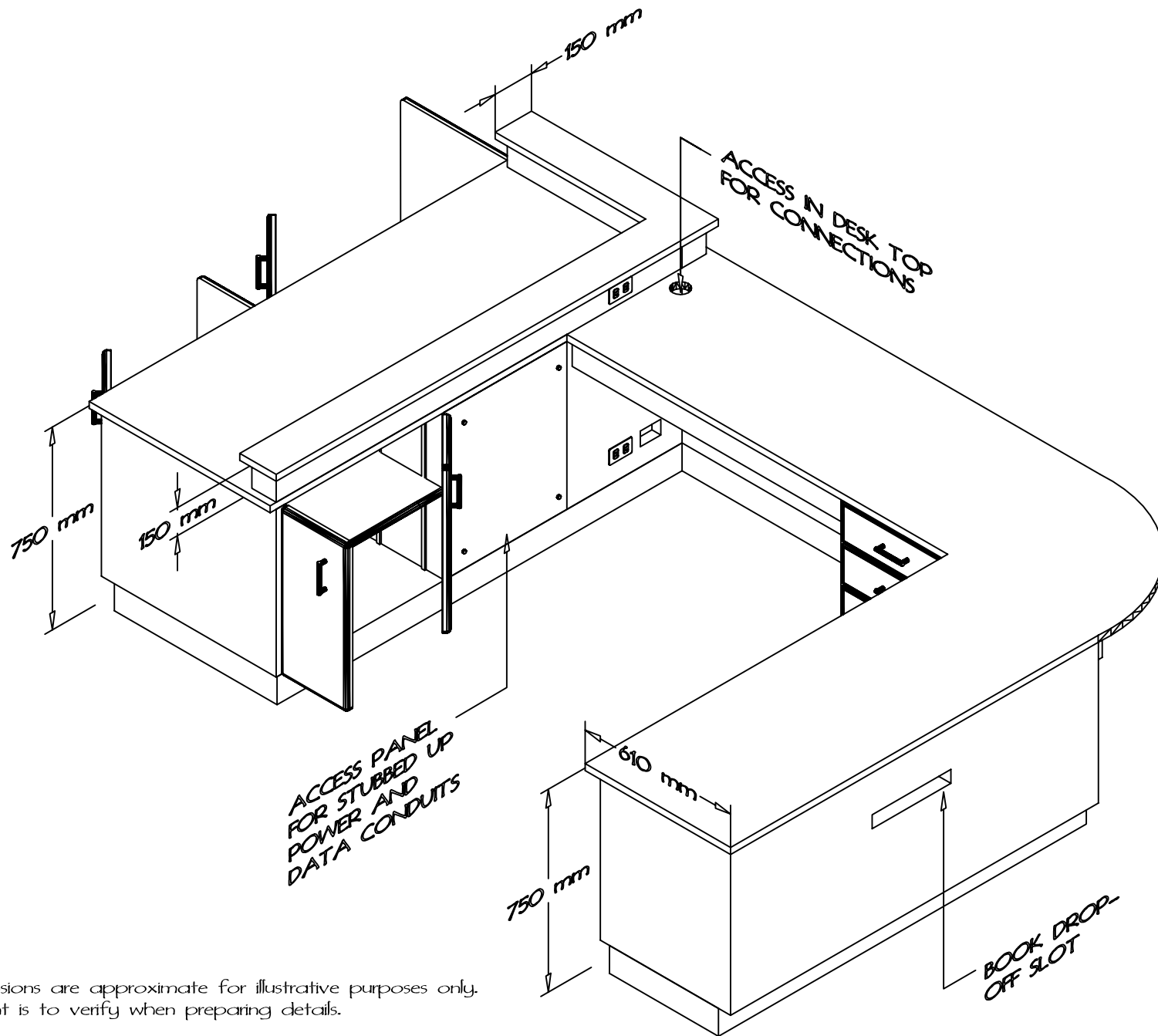
drawing no: STD - A13.3  
elementary



RESOURCE CENTRE  
 TYPICAL LIBRARY CHARGING DESK  
 ISOMETRIC VIEW 1

date: January 2005  
 revised: March 2006 (T.S.)  
 drawn by: S.N.

drawing no: STD - A13.4  
 elementary



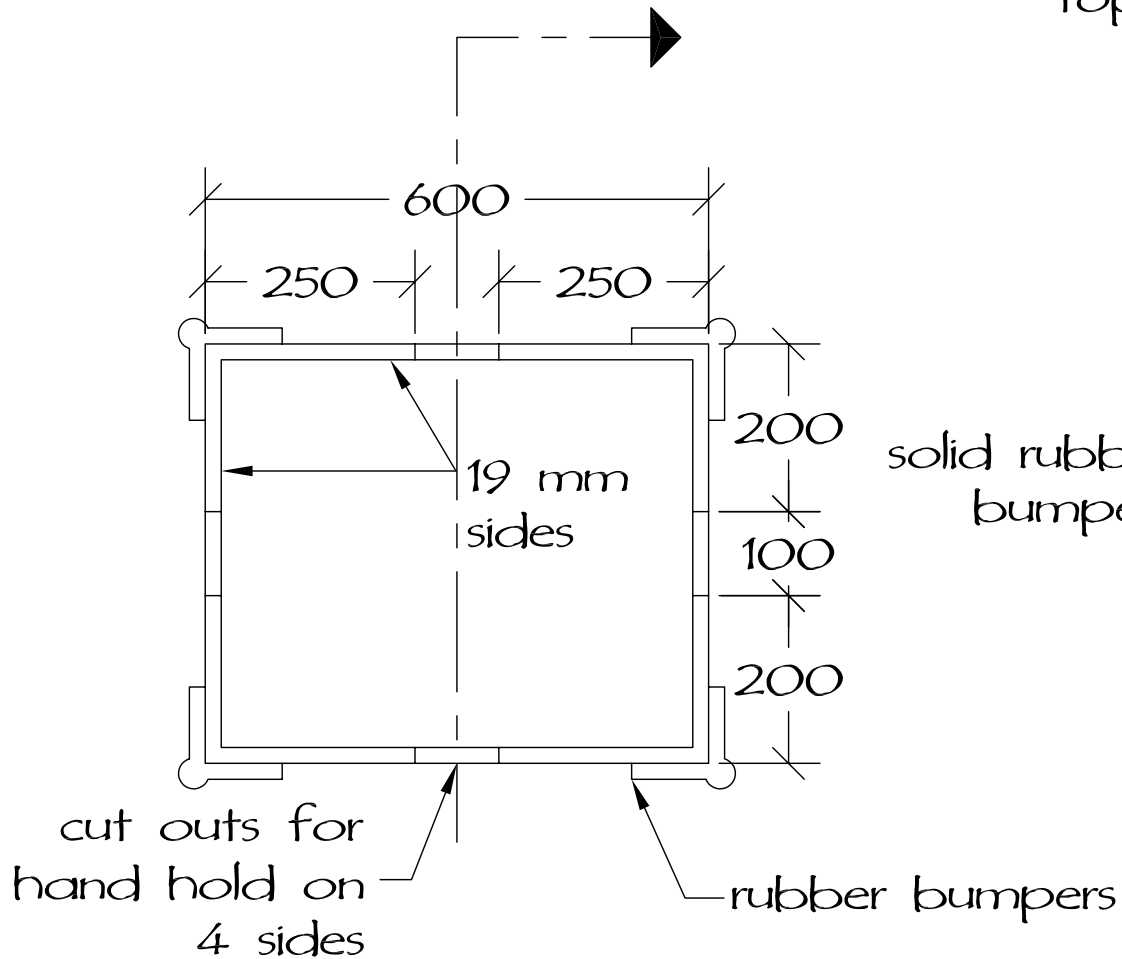
All dimensions are approximate for illustrative purposes only.  
 Consultant is to verify when preparing details.



RESOURCE CENTRE  
 TYPICAL LIBRARY CHARGING DESK  
 ISOMETRIC VIEW 2

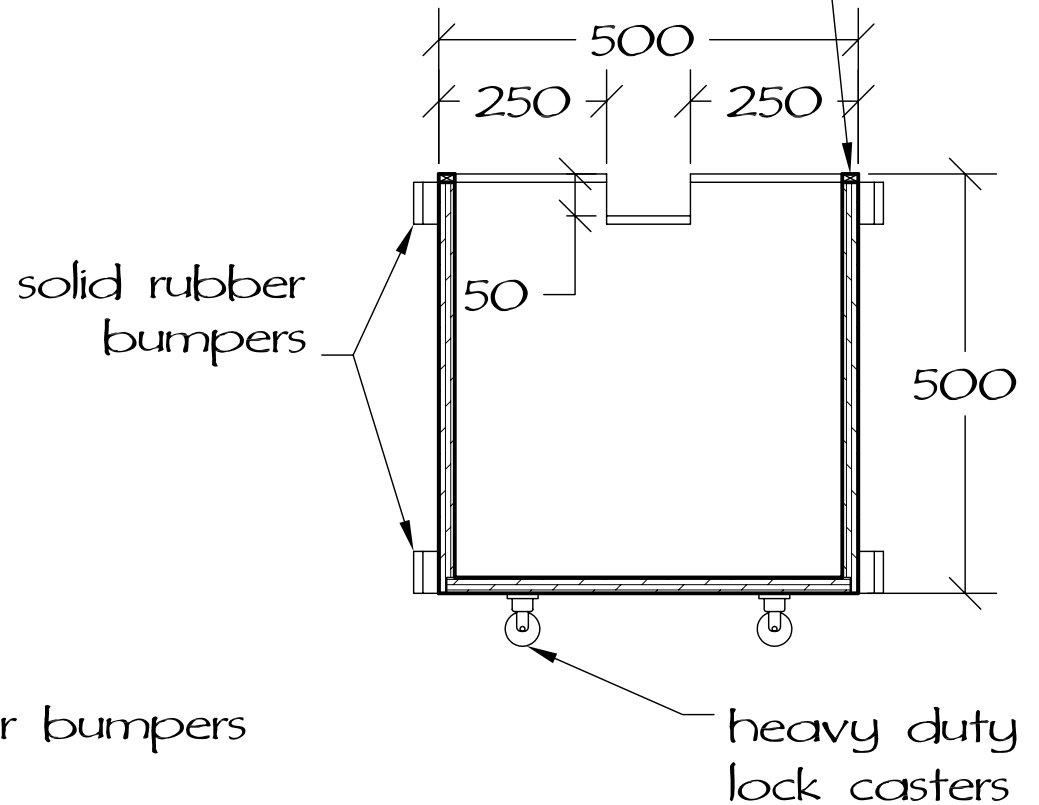
date: January 2005  
 revised: March 2006 (T.S.)  
 drawn by: S.N.

drawing no: STD - A13.5  
 elementary



PLAN

top edge of book cart to have 10 x 19 mm hardwood nosings



SECTION

