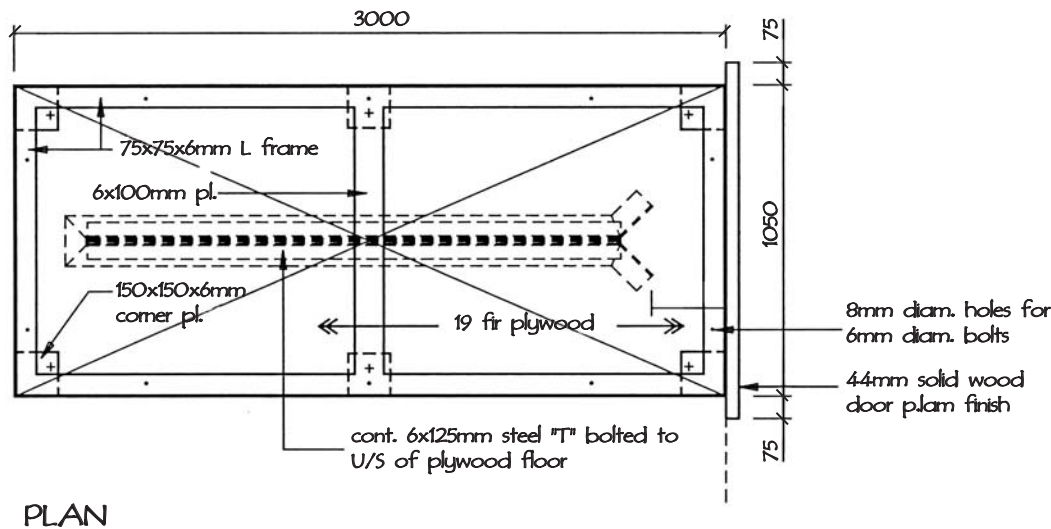


SIDE ELEVATION

FRONT ELEVATION



PLAN

NOTES:

1. check & verify dim. with stage plan and details
2. 125mm medium heavy duty (set of four 550kg to 1600kg capacity) rubber casters - 4 fixed and 2 swivel per dolly
3. note that casters are to be suitable for resilient and wood flooring
4. total of 5 dollies required

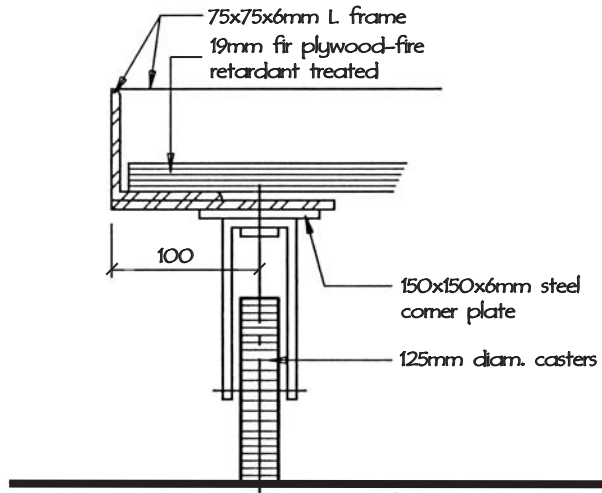
- 8mm diam. holes for 6mm diam. bolts
- 44mm solid wood door plain finish



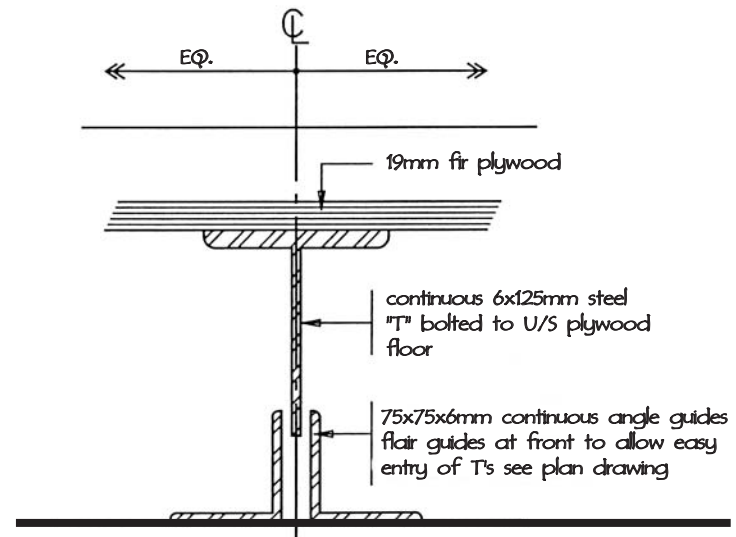
GENERAL PURPOSE AREA
UNDER STAGE CHAIR DOLLY

date: January 2002
drawn by: R.C.

drawing no: STD - A14.1
elementary



CASTERS



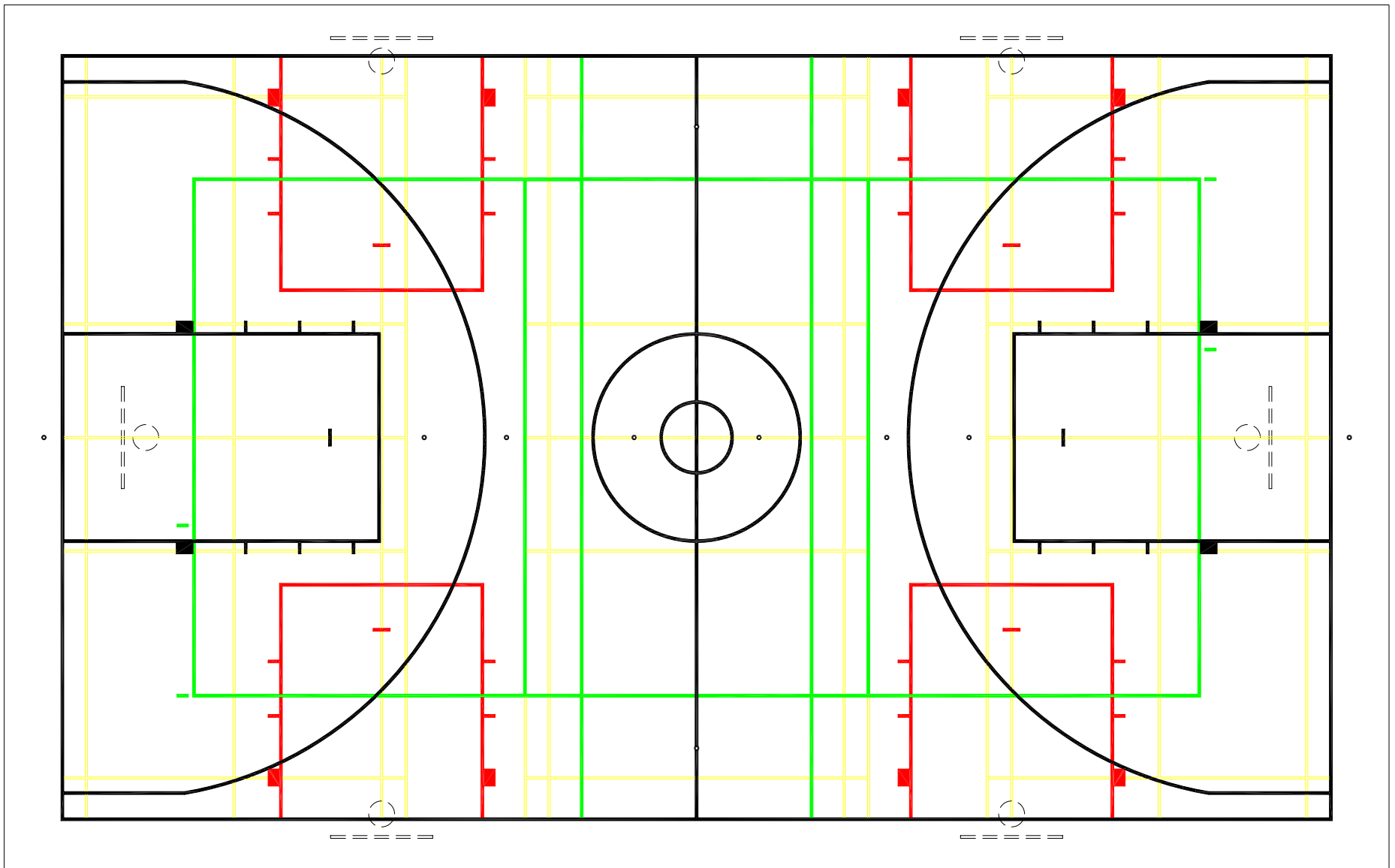
GUIDES



GENERAL PURPOSE AREA
UNDER STAGE CHAIR DOLLY DETAILS

date: January 2002
drawn by: R.C.

drawing no: STD - A14.2
elementary



— Main Basketball Court: 50 mm (2") black lines

— Practice Basketball Courts: 50 mm (2") red lines

— Main Volleyball Court: 50 mm (2") green lines

— Badminton Courts: 37.5 mm (1 1/2") yellow lines

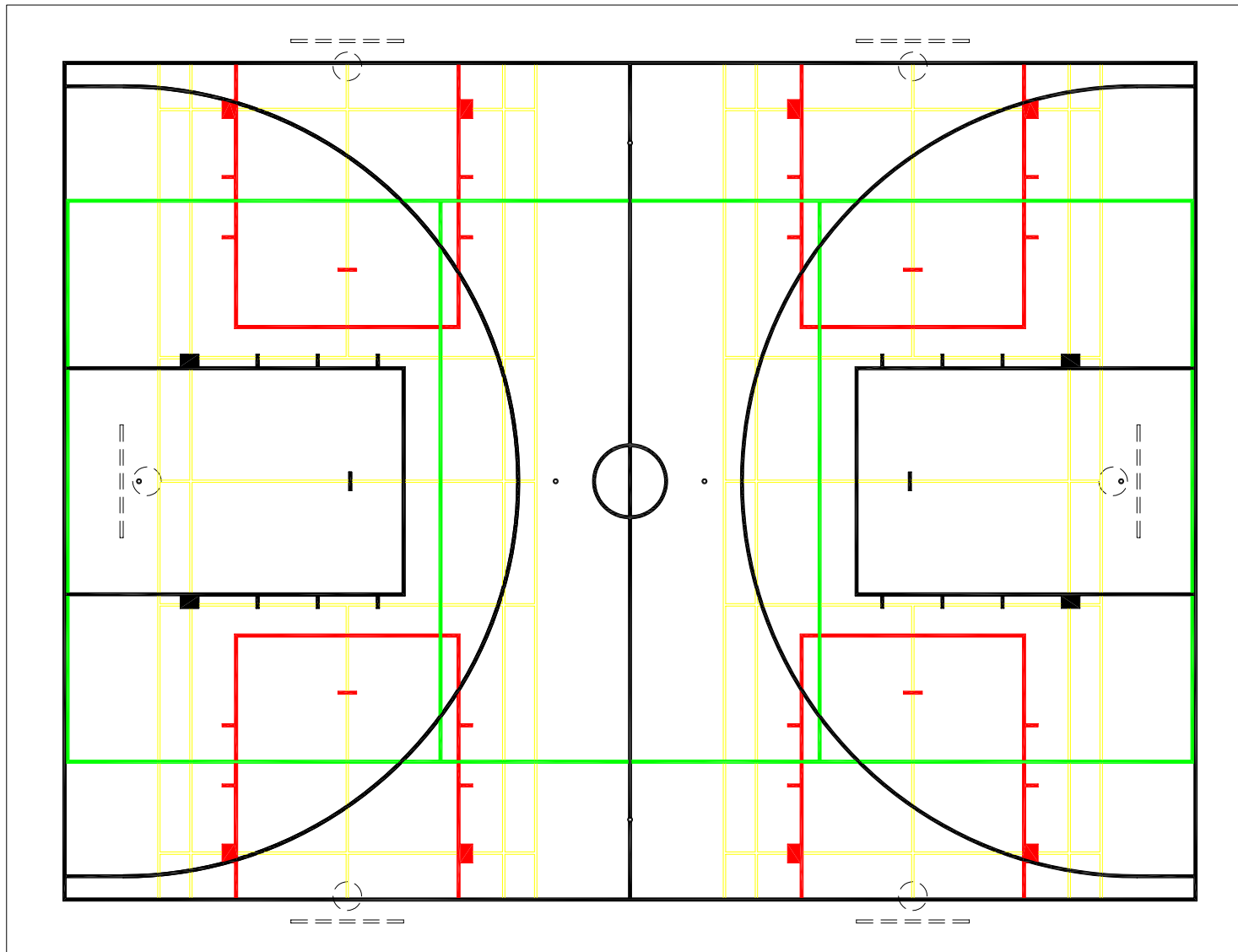
• Floor Pole Socket: 1-7/8" in diameter (no metric equivalent)

NOTE:
-Parallel lines should not overlap



DOUBLE GENERAL PURPOSE ROOM GAMELINES LAYOUT

date: February 2006 drawing no: STD - A14.3
 drawn by: T.S. elementary



— Main Basketball Court: 50 mm (2") black lines

— Main Volleyball Court: 50 mm (2") red lines

• Floor Pole Socket: 1-7/8" in diameter (no metric equivalent)

— Practice Basketball Courts: 50 mm (2") green lines

— Badminton Courts: 37.5 mm (1 1/2") yellow lines

NOTE:

— Parallel lines should not overlap



SINGLE GENERAL PURPOSE ROOM GAMELINES LAYOUT

date:

February 2006

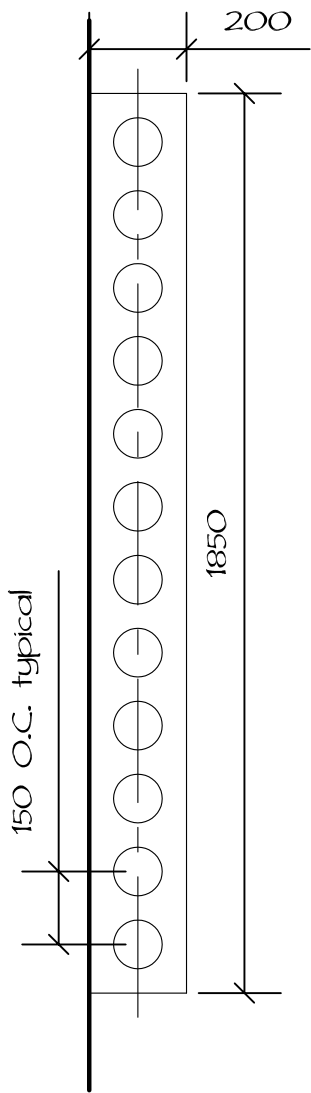
drawing no:

STD - A14.4

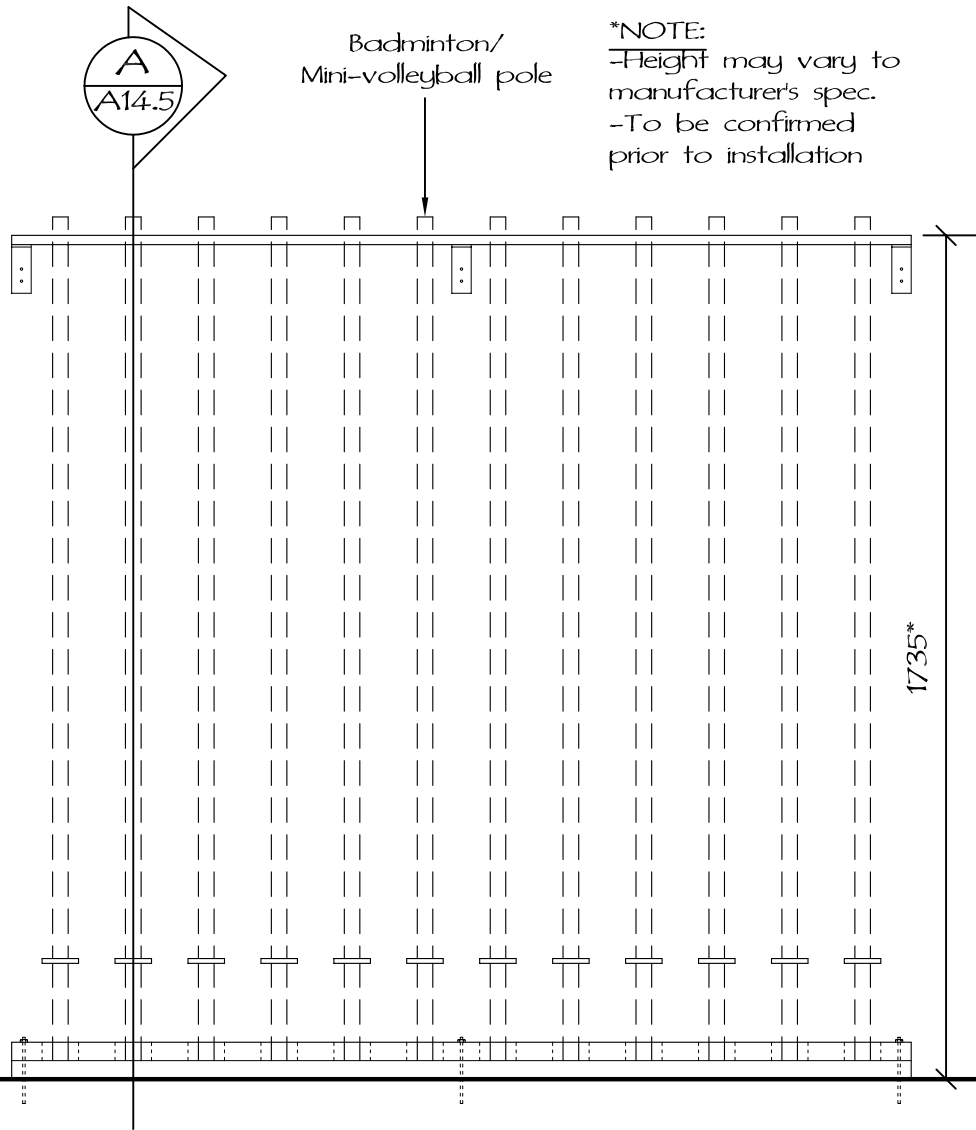
drawn by:

T.S.

elementary

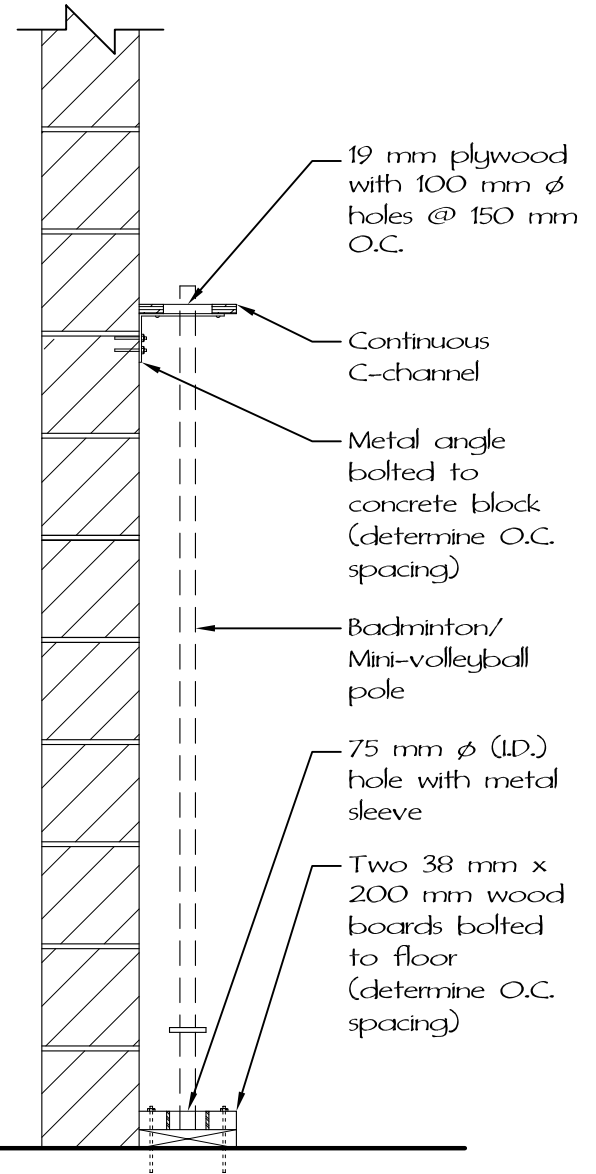


PLAN



ELEVATION

*NOTE:
 -Height may vary to
 manufacturer's spec.
 -To be confirmed
 prior to installation



A
A14.5

SECTION
THROUGH POLE
STORAGE

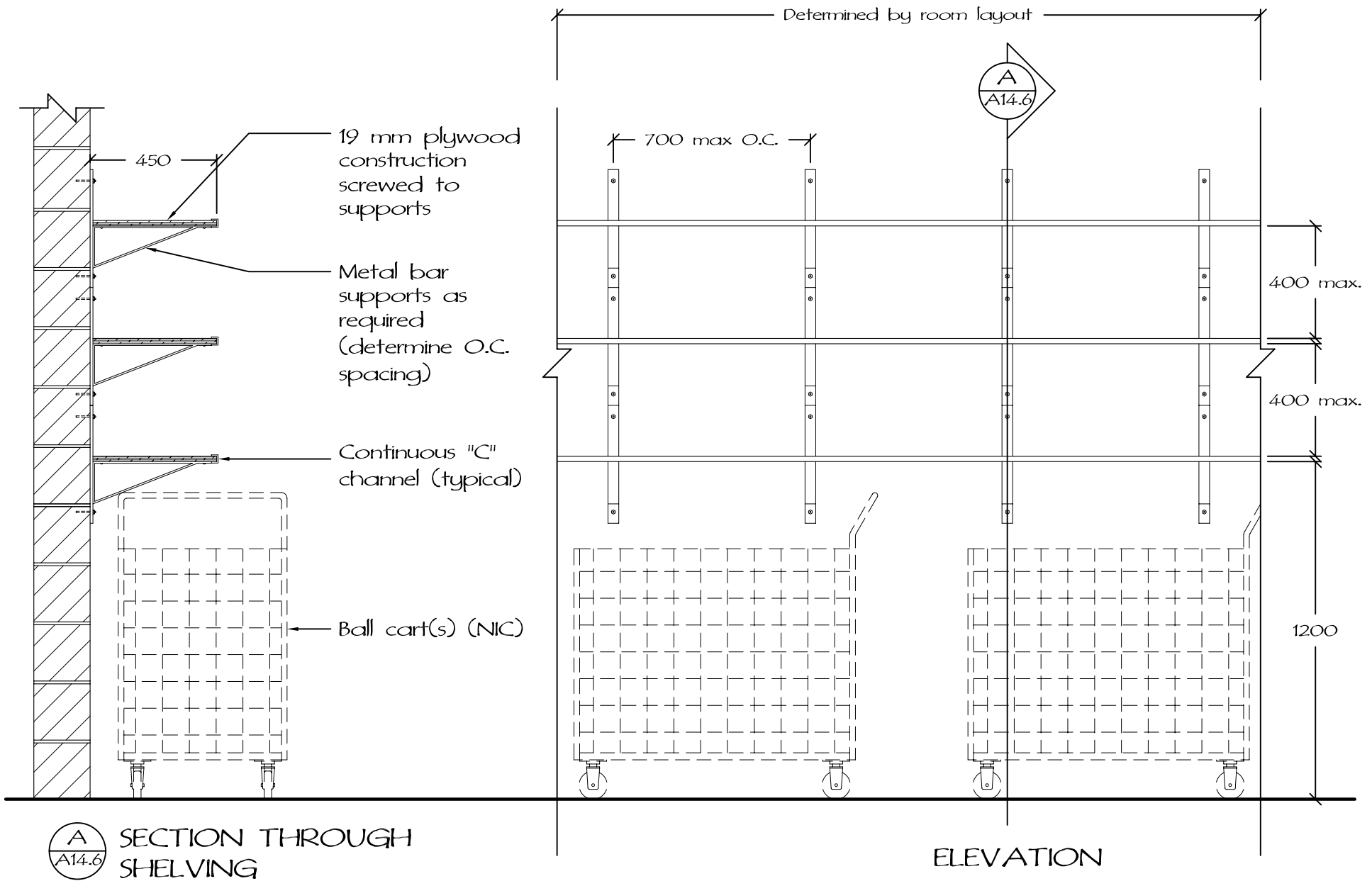
- 19 mm plywood with 100 mm ϕ holes @ 150 mm O.C.
- Continuous C-channel
- Metal angle bolted to concrete block (determine O.C. spacing)
- Badminton/ Mini-volleyball pole
- 75 mm ϕ (I.D.) hole with metal sleeve
- Two 38 mm x 200 mm wood boards bolted to floor (determine O.C. spacing)



GYMNASIUM VERTICAL POLE STORAGE RACK

date: March 2006
 drawn by: T.S.

drawing no: STD - A14.5
 elementary



GYMNASIUM
EQUIPMENT SHELVING
AND BALL CART STORAGE

date: March 2006
drawn by: T.S.

drawing no: STD - A14.6
elementary