

Controlled low velocity flow completely rinses eyes and face and is not injurious to user.

Protect spray heads from airborne contaminants.

Valve actuator shall be easy to locate and readily accessible to user.

Unit must deliver at least 3.0 gallons (11.4 liters) of water per minute for 15 minutes

Location  
Install eye/face wash unit within 10 seconds of hazard, on the same level as hazard, on the same level as hazard and with unobstructed travel path.

"Hands-free" stay-open valve shall activate in one second or less.

Water Temperature  
Water delivered by eye/face wash shall be tepid (lukewarm).

Outlet heads shall be positioned 33" (838 mm) from the floor.

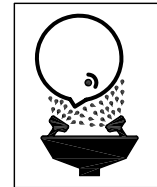
838 (33")

685 (27")

Bowl shall be positioned with a minimum 27" (685 mm) knee clearance and 17"-19" (430-480 mm) from the wall or nearest obstruction to the front of the rim.

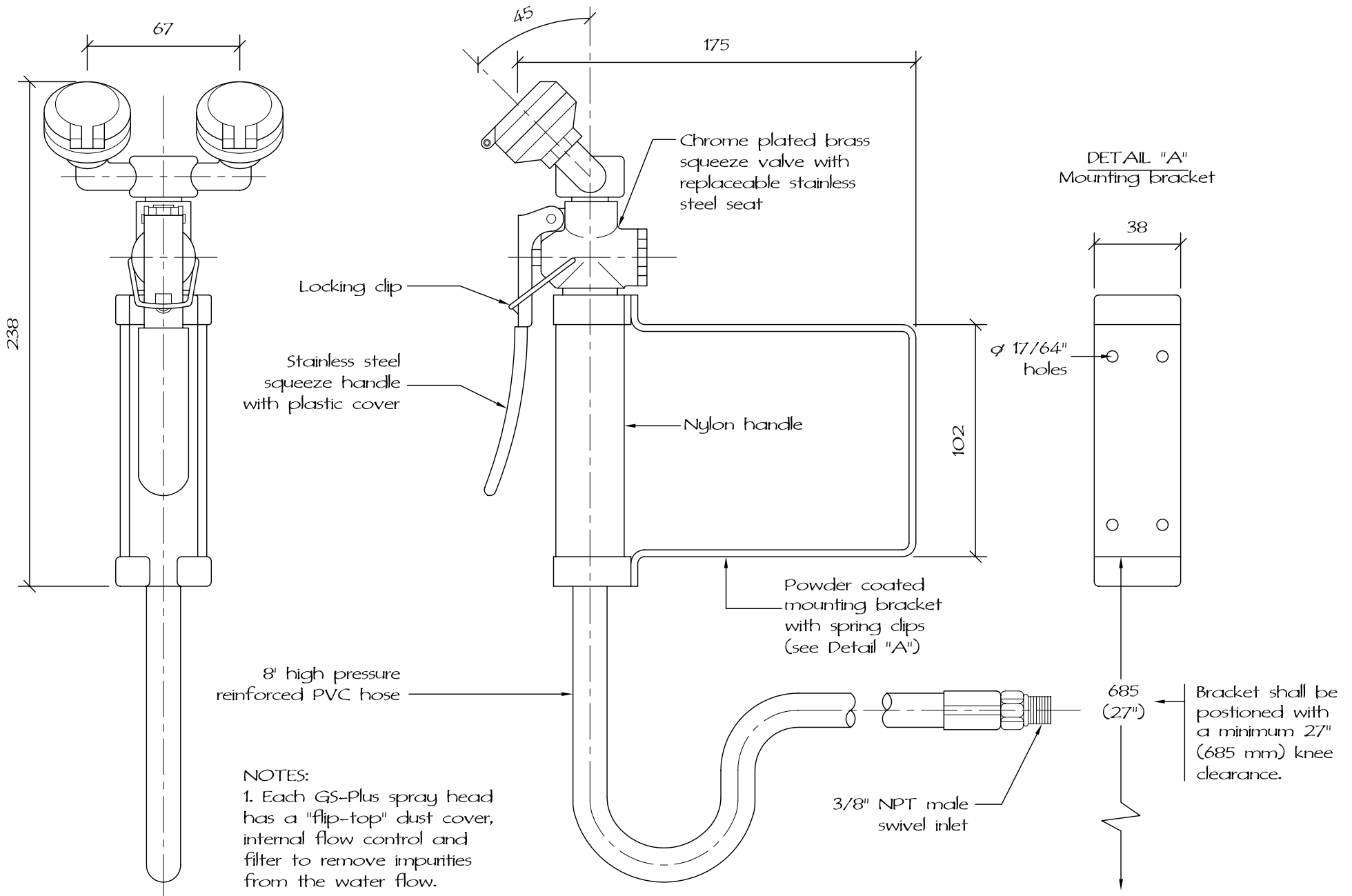
Connect unit to uninterruptible water supply delivering at least 3.0 GPM.

Identification  
Identify eye/face wash with highly visible sign. Area around eye/face wash shall be well lighted.



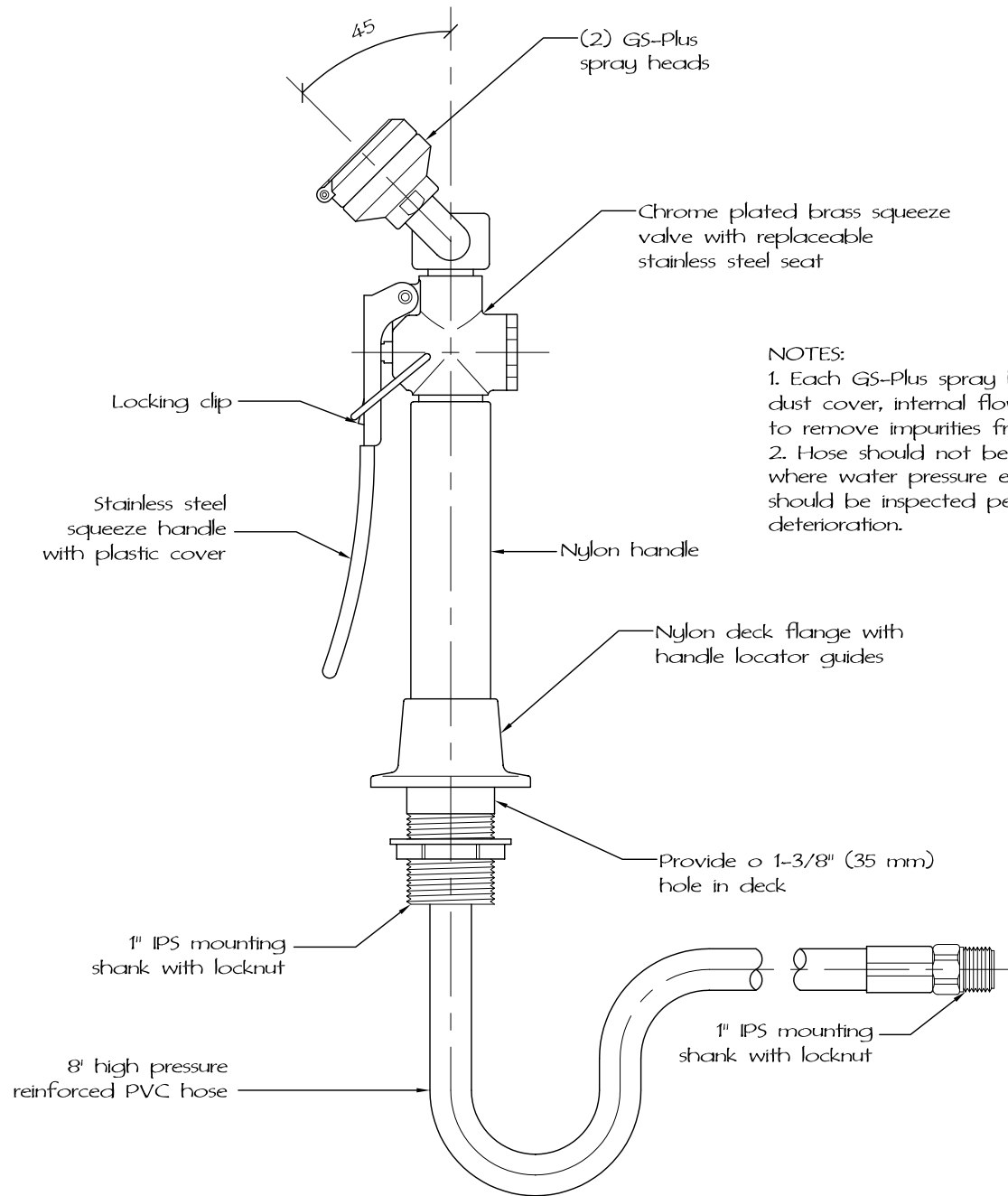
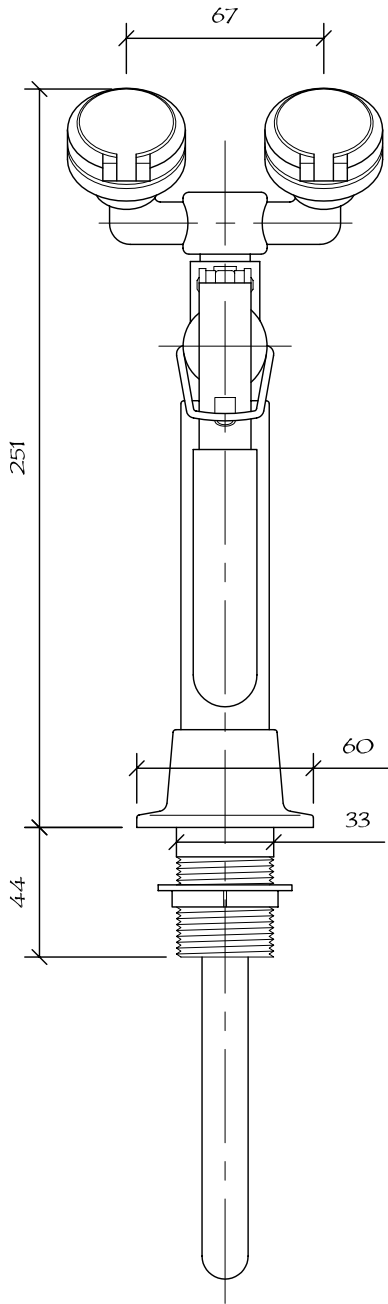
# TYPICAL EYE/FACE WASH STATION (BOWL TYPE)

date: February 2006 drawing no: STD - A20.1  
 drawn by: T.S. elementary



SPOT DRENCH TYPE A  
WALL MOUNTED

date: February 2006 drawing no: STD - A20.2.1  
 drawn by: T.S. elementary



NOTES:

1. Each GS-Plus spray head has a "flip-top" dust cover, internal flow control and filter to remove impurities from the water flow.
2. Hose should not be used in applications where water pressure exceeds 90 P.S.I. hose should be inspected periodically for deterioration.



SPOT DRENCH TYPE A  
DECK MOUNTED

date: February 2006 drawing no: STD - A20.2.2  
 drawn by: T.S. elementary