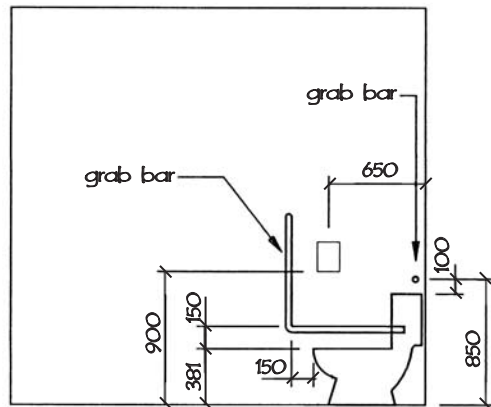
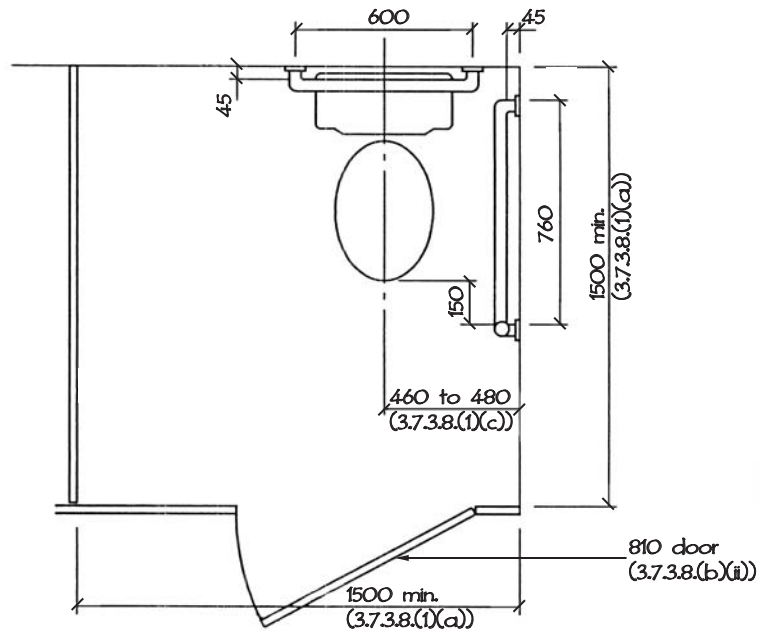


STAFF & PHYSICALLY CHALLENGED WASHROOM



PIP/ORTHOPEDIC WASHROOM

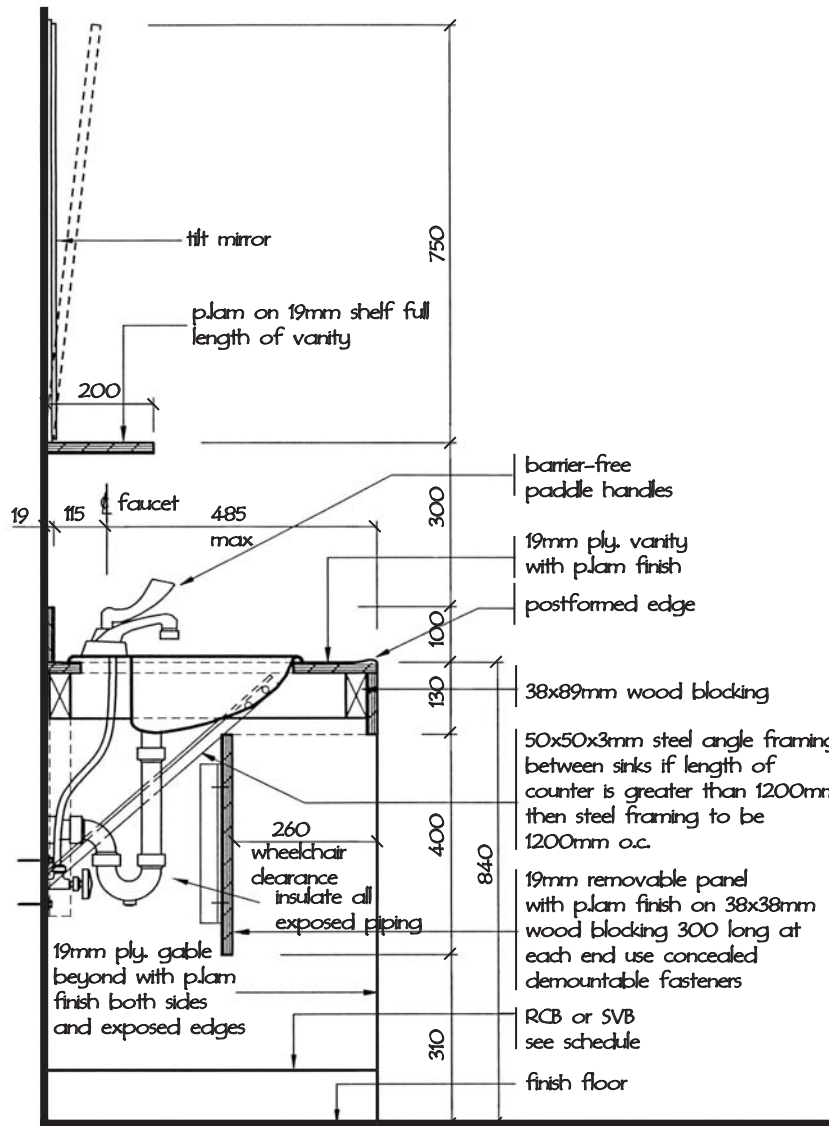


PLAN OF TYPICAL HANDICAPPED WC STALL

NOTE:
this drawing is for the purpose of locating items within the wc cubicle. refer to working drawings for actual sizes, locations, and numbers.

NOTE:
1. comply with 1990 o.b.c. 3.7.3.8. and 3.7.3.9.
2. grab bar mounting on wall behind water closet





*all vanity dimensions to be in accordance with o.b.c. section 3.7.3.8.(1)



WASHROOMS
STAFF WASHROOM VANITY

date: January 2002
drawn by: R.C.

drawing no: STD - A23.2
elementary